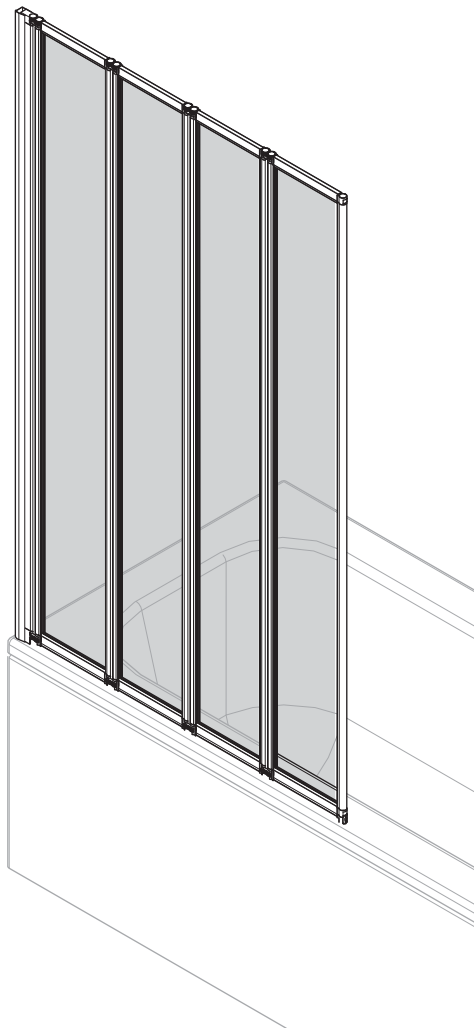


IN00316 (rev B)



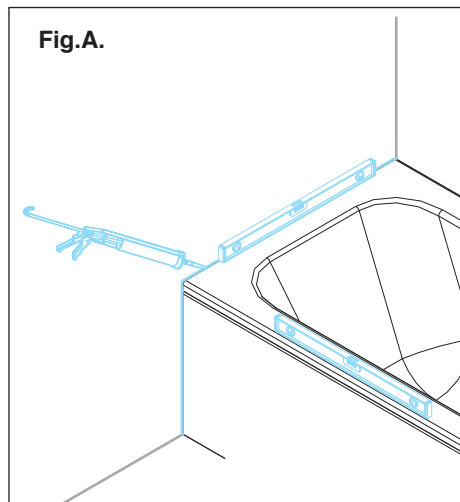
# Folding Bath Screen

- Instruction suitable for both Right and Left Hand Fixing.
- Instruction suitable for 1-Fold, 2-Fold, 3-Fold, 4-Fold, 5-Fold, 6-Fold and 7-Fold Bath Screen variants.



## Before You Start

- Check that the bath has been installed correctly and that it is level (Fig. A), tiled down onto and sealed to the manufacturer's guidelines. **Please Note:** All product supplied without bath.
- Check that there is sufficient space on the bath for the product and that the screen movement does not foul other items such as sinks and taps.
- Ensure the product is fitted to a non-porous surface ie. tiled. Check that the wall surface is flat.
- Unpack and check the product is complete and undamaged.
- Fixings are supplied for solid walls only. Ensure that the correct fixings are used for the wall type – if in doubt seek professional advice
- Ensure the area is clean, dry and dust free.
- Read the instructions in full.
- Have the correct tools available, (as shown below, see 'Tools Required').




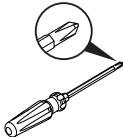
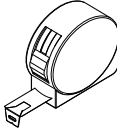
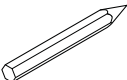
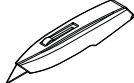
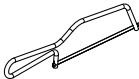

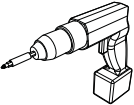
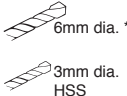
## Safety

- Handle all glass with care - support on cardboard to avoid risk of breakage.
- This product is heavy and requires 2 people to carry and install it.
- When drilling walls check first for hidden pipes and cables.
- All glass is toughened – it cannot be reworked or replaced by ordinary glass.
- Use safety eyewear when drilling.
- Use safety eyewear when handling glass.
- Keep all small parts away from children.

## Disclaimer

- Please notify the retailer immediately of any damage or faults. The manufacturer cannot be held responsible for any installation costs that may arise from damaged or faulty product being installed.
- Please dispose of all packaging with due regard to the environment.

## Tools Required (not supplied)

<p>Spirit Level</p> 	<p>Screwdriver</p> 	<p>Tape Measure</p> 	<p>Pencil</p> 	<p>Utility Knife</p> 
<p>Junior Hacksaw</p> 	<p>Silicone Gun &amp; Sealant</p> 	<p>Power Drill</p> 	<p>Suitable Drill Bits</p> 	<p>* Ensure drill bit used is suitable for wall surface</p>



Help Line: 0870 241 6131

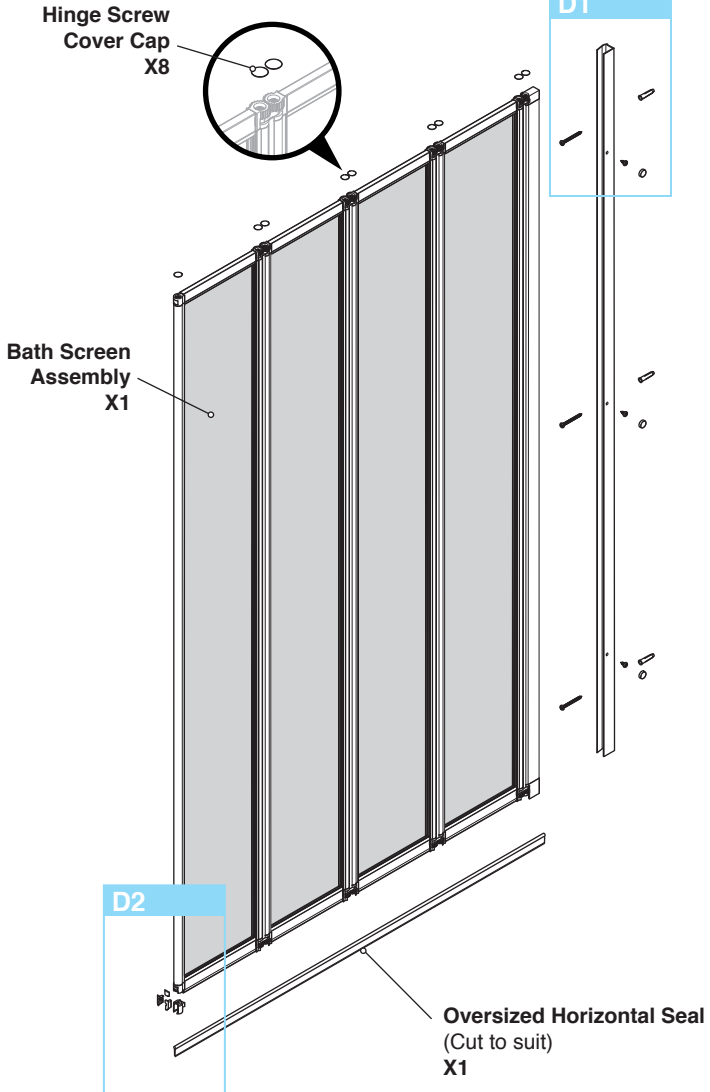
Lines open: 8.30am - 5.00pm Monday to Friday  
Standard National call charge rate from BT landlines

# Parts & Fittings Supplied

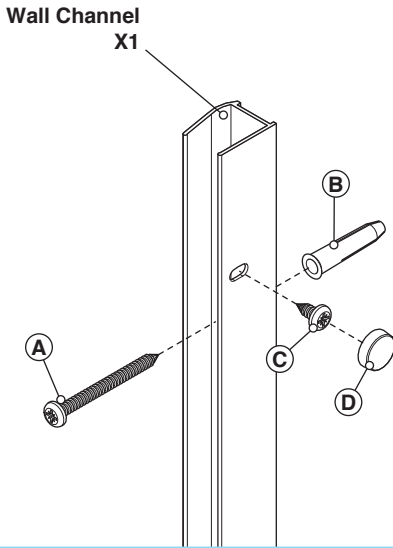
Please notify the retailer immediately of any damage or faults. The manufacturer cannot be held responsible for any installation costs that may arise from a damaged or faulty product being installed.



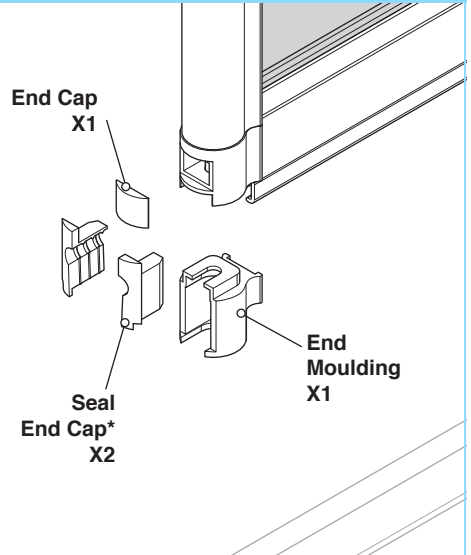
Keep small parts away from children



D1

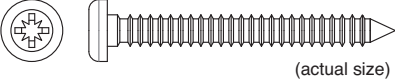

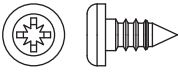
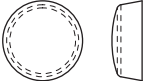


D2



\* Left and Right Hand variants  
Supplied (1 No. of each)

### Loose Screws & Fittings Supplied

<p><b>A</b></p>	<p>No.8 x 1½" Pan Head Pozi Screws</p>	 <p>(actual size)</p>	<p>Qty <b>x3</b></p>
<p><b>B</b></p>	<p>Wall Plugs</p>	 <p>(actual size)</p>	<p>Qty <b>x3</b></p>
<p><b>C</b></p>	<p>No.8 x ¾" Pan Head Pozi Screws</p>	 <p>(actual size)</p>	<p>Qty <b>x3</b></p>
<p><b>D</b></p>	<p>Screw Cover Caps</p>	 <p>(actual size)</p>	<p>Qty <b>x3</b></p>



**Tip:** When drilling tiles apply masking tape to surface to stop drill bit slipping.

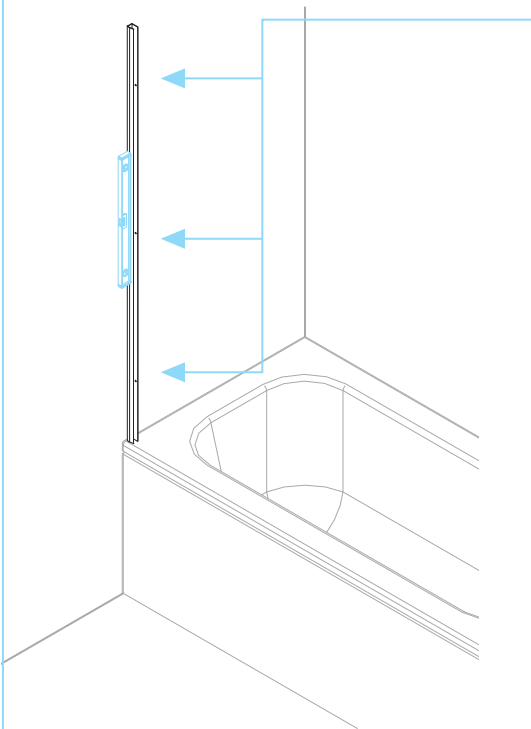


Wall plugs supplied are for solid walls only. Ensure correct wall plug for wall type is used. If in doubt seek professional advice.



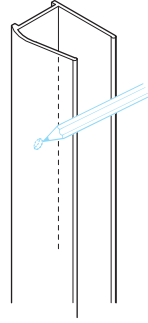
Position wall channel on wall. Ensure channel is vertically level and does not overhang the bath.

**1**



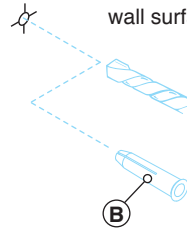
**1.1**

Mark position  
pre-drilled Wall  
Channel holes

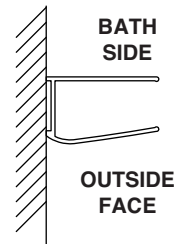
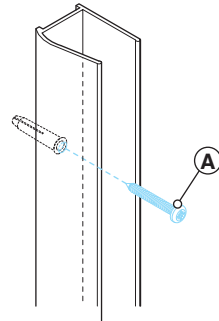


**1.2**

6mm dia. holes with  
drill bit suitable for  
wall surface



**1.3**



**BATH  
SIDE**

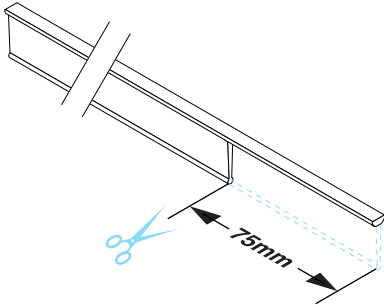
**OUTSIDE  
FACE**

**Please Note:**

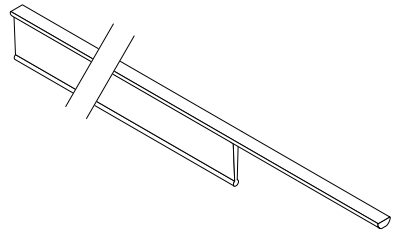
Position Wall  
Channel with  
curved side  
facing away  
from bath.

## Horizontal Seal Preparation

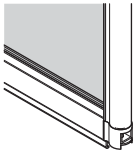
i)



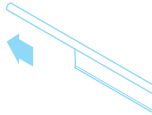
ii)



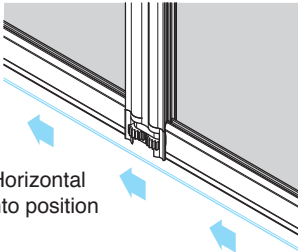
2.1



Slide Horizontal Seal into position

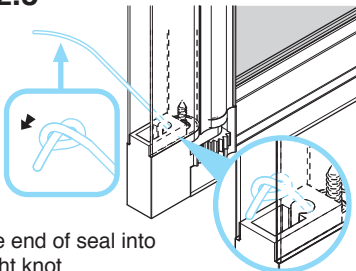


2.2



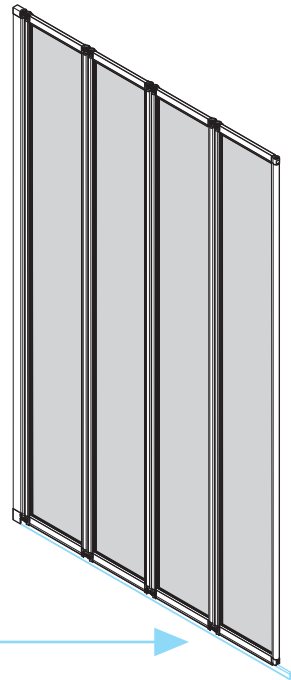
Slide Horizontal Seal into position

2.3



Tie end of seal into tight knot

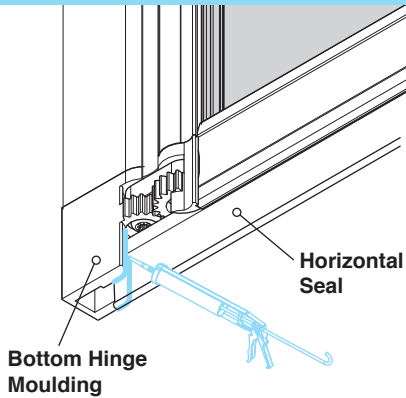
2



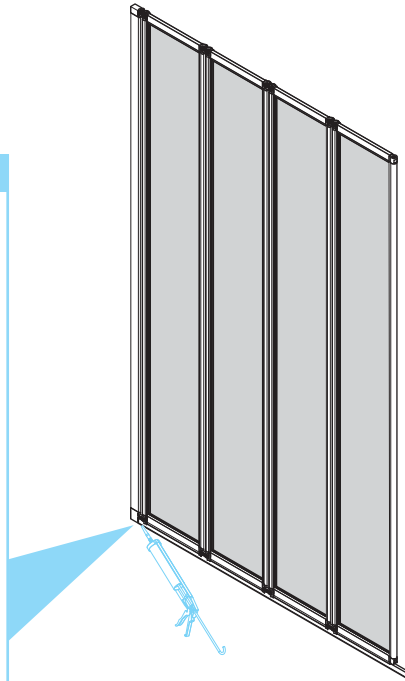
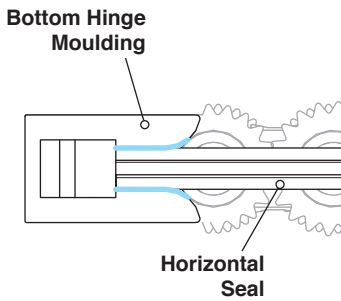
Tip:  
Apply a small amount of Silicone Lubricant to the Horizontal Seal to help slide into position.

3

Underside View

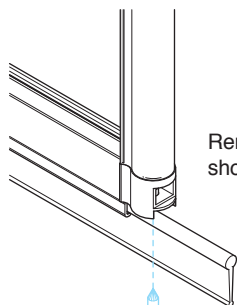


Plan View



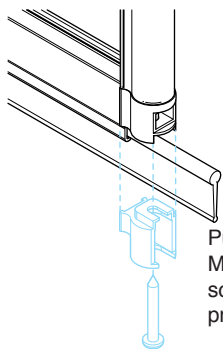
**IMPORTANT NOTE:**  
Please ensure that Silicone Sealant is apply fully between Horizontal Seal and Bottom Hinge Moulding as shown.

**4.1**



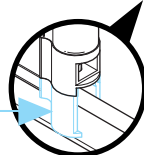
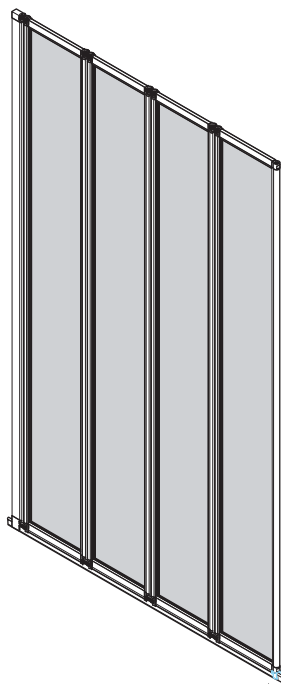
Remove screw as shown.

**4.2**



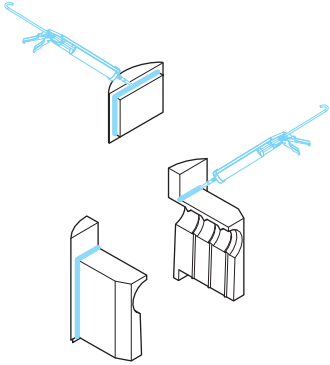
Push fit End Cap Moulding, fix using screw removed in previous step.

**4**



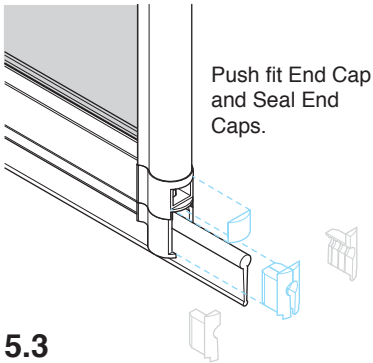


**5.1**



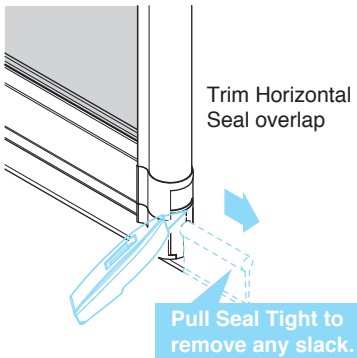
Apply a small amount of silicone sealant to End Cap and Seal End Caps.

**5.2**

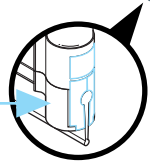
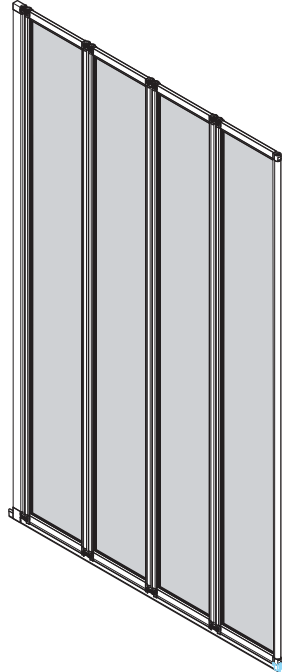


Push fit End Cap and Seal End Caps.

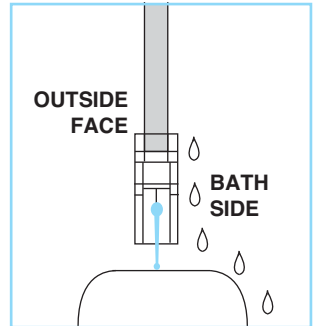
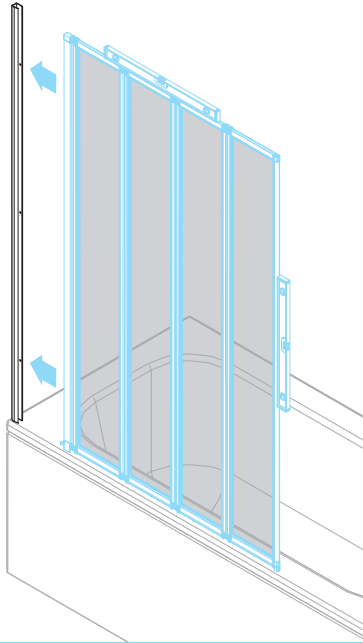
**5.3**



**5**



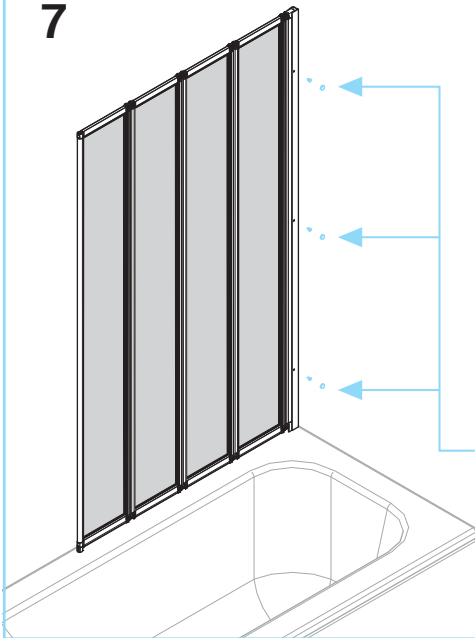
6



Please Note:  
Ensure Horizontal Seal  
sits on top of bath.

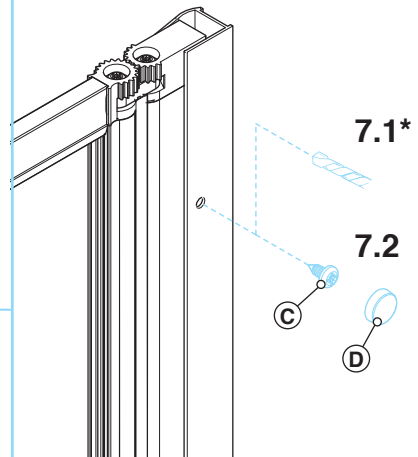
Inside View

7



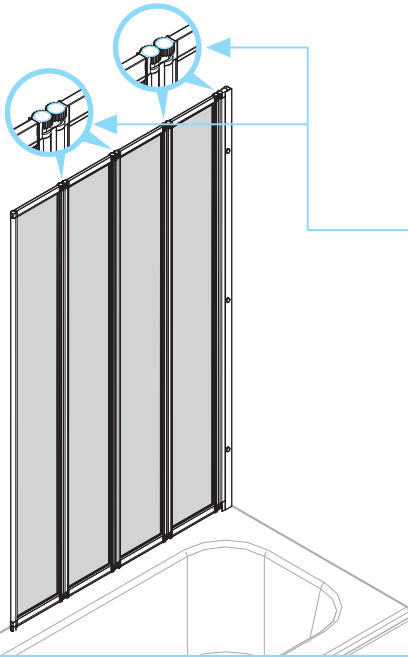
Inside View

\* 3mm dia. holes through  
pre-drilled wall channel holes  
using HSS drill bit



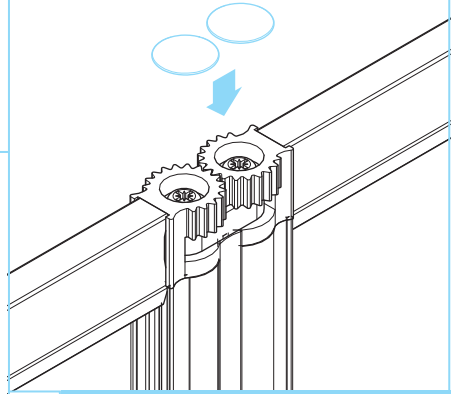
Inside View

8



Inside View

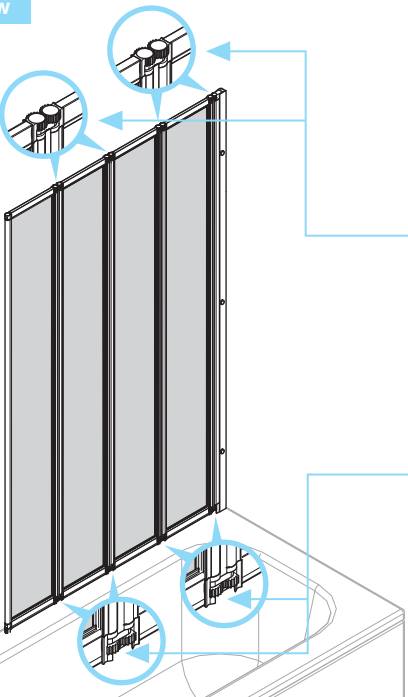
8.1



Push fit Hinge Screw Cover Caps.

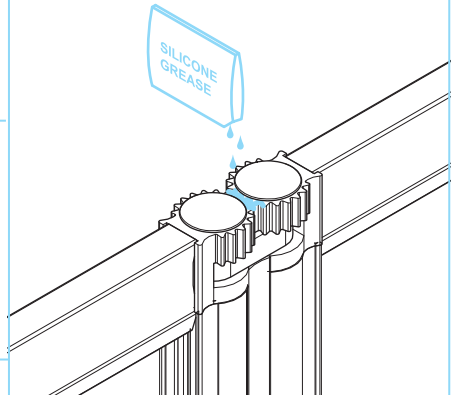
Inside View

9



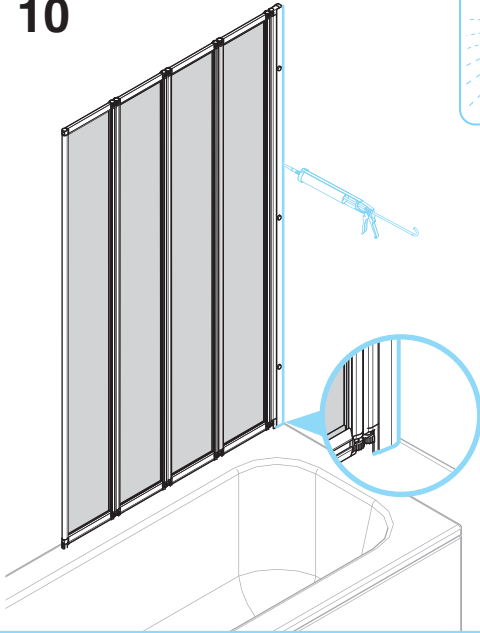
Inside View

9.1



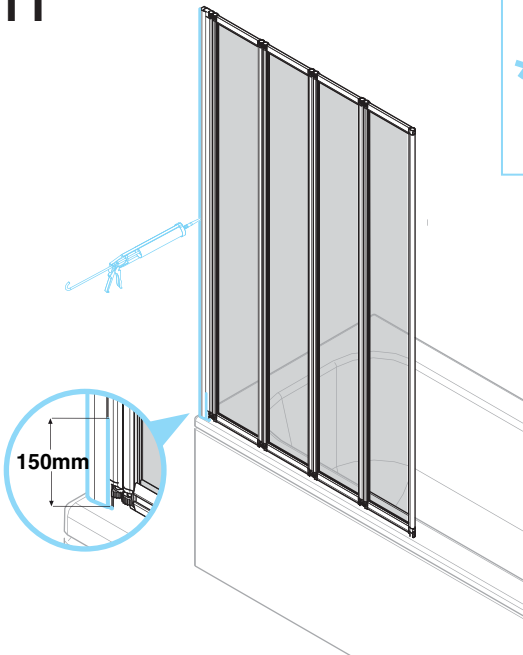
Apply a small amount of Silicone Grease from sachet (supplied) to the hinge mouldings.

10



**!** Apply Silicone Sealant, (not supplied).

11



**\*** Product Care:  
Use a non abrasive cleaner.  
Water marks may be removed  
with a proprietary limescale  
remover or household  
vinegar.



**!** Apply Silicone Sealant, (not supplied).