

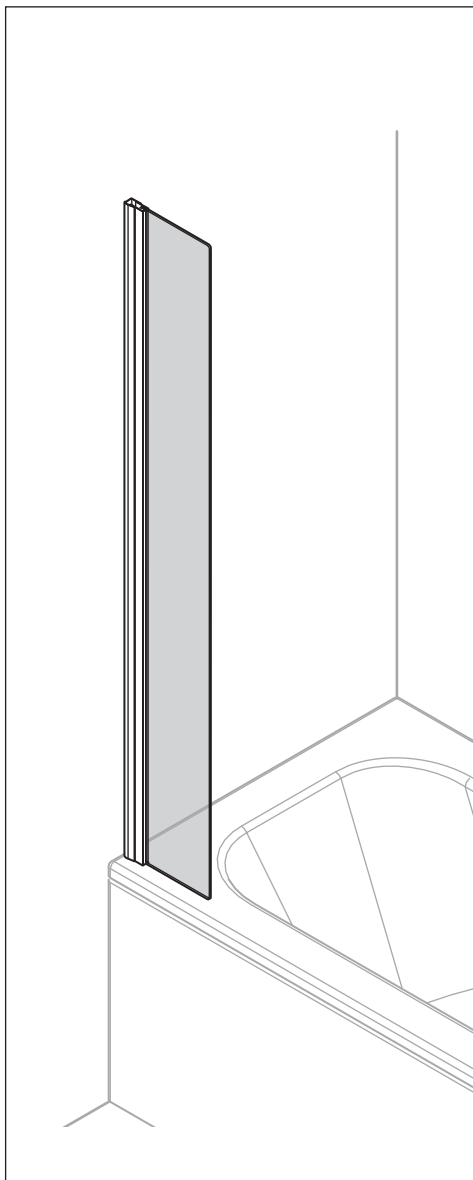
IN00295 (rev A)

# Splash Guard Bath Screen

• Suitable for both Right and Left Hand Fixing

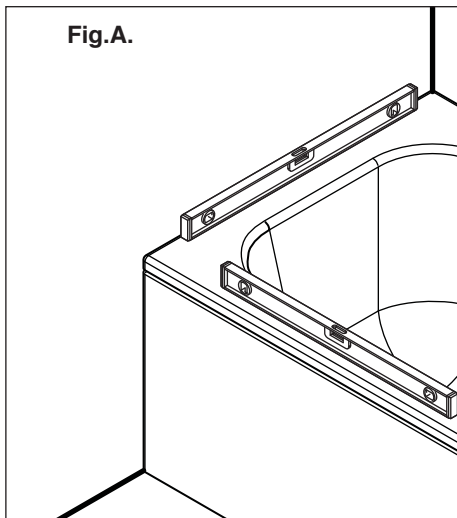


**AQUALOX**  
Est 1979



## Before You Start

- Check that the bath has been installed correctly and that it is level (Fig. A), tiled down onto and sealed to the manufacturer's guidelines. **Please Note:** All product supplied without bath.
- Check that there is sufficient space on the bath for the product.
- Ensure the product is fitted to a non-porous surface ie. tiled. Check that the wall surface is flat.
- Unpack and check the product is complete and undamaged.
- Fixings are supplied for solid walls only. Ensure that the correct fixings are used for the wall type – if in doubt seek professional advice
- Ensure the area is clean, dry and dust free.
- Read the instructions in full.
- Have the correct tools available, (as shown below, see 'Tools Required').



## Safety

- Handle all glass with care - support on cardboard to avoid risk of breakage.
- When drilling walls check first for hidden pipes and cables.
- All glass is toughened – it cannot be reworked or replaced by ordinary glass.
- Use safety eyewear when drilling.
- Use safety eyewear when handling glass.
- Keep all small parts away from children.

## Disclaimer

- Please notify the retailer immediately of any damage or faults. The manufacturer cannot be held responsible for any installation costs that may arise from damaged or faulty product being installed.
- Please dispose of all packaging with due regard to the environment.

## Tools Required (not supplied)

<p>Spirit Level</p>	<p>Screwdriver</p>	<p>Tape Measure</p>	<p>Pencil</p>	<p>Silicone Gun &amp; Sealant</p>	<p>Power Drill</p>
<p>Suitable Drill Bits</p> <p>6mm dia. *</p> <p>3mm dia. HSS</p> <p>* Ensure drill bit used is suitable for wall surface</p>					



**0870 241 6131**

LINES OPEN: 8.30am - 5.00pm MONDAY - FRIDAY  
STANDARD NATIONAL CALL CHARGE RATE  
FROM BT LANDLINES



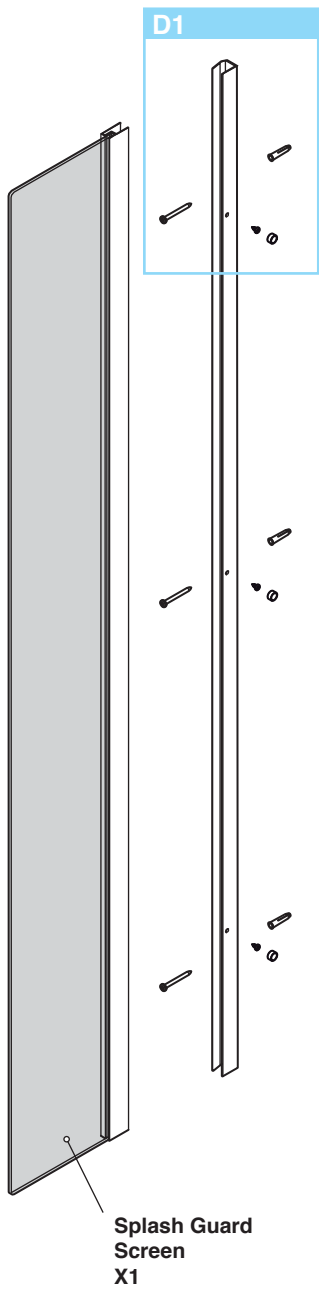
# Parts & Fittings Supplied



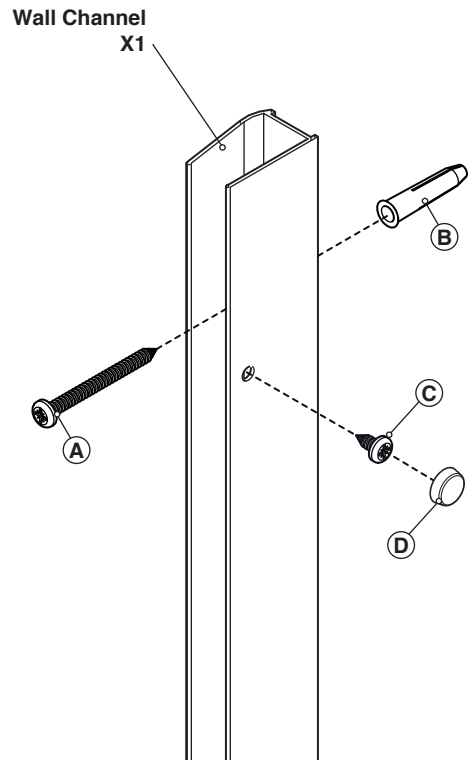
Please notify the retailer immediately of any damage or faults. The manufacturer cannot be held responsible for any installation costs that may arise from a damaged or faulty product being installed.



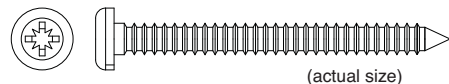
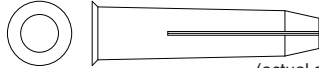
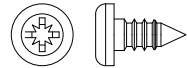

Keep small parts away from children



## D1



## Loose Screws & Fittings Supplied

A	No.8 x 1 <sup>3</sup> / <sub>4</sub> " Pan Head Pozi Screws		Qty
		(actual size)	<b>x3</b>
B	Wall Plugs		Qty
		(actual size)	<b>x3</b>
C	No.8 x 3/8" Pan Head Pozi Screws		Qty
		(actual size)	<b>x3</b>
D	Screw Snap Cap		Qty
		(actual size)	<b>x3</b>



**Tip:** When drilling tiles apply masking tape to surface to stop drill bit slipping.

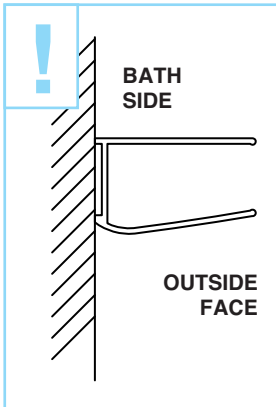


Wall plugs supplied are for solid walls only. Ensure correct wall plug for wall type is used. If in doubt seek professional advice.

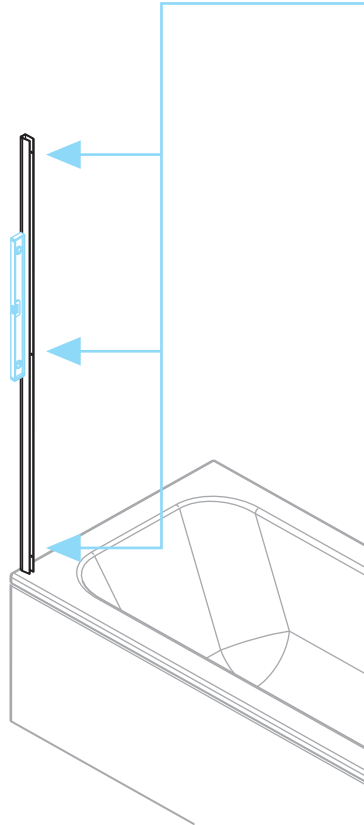


Position wall channel on wall. Ensure channel is vertically level and does not overhang the bath.

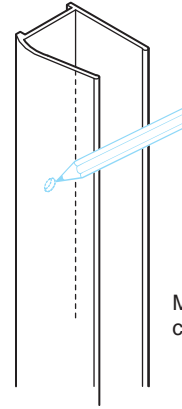
**1**



Position Wall Channel with curved side facing away from bath.

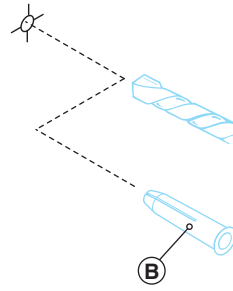


**1.1**



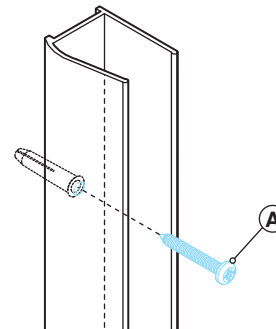
Mark position of pre-drilled channel holes

**1.2**



6mm dia. holes with drill bit suitable for wall surface

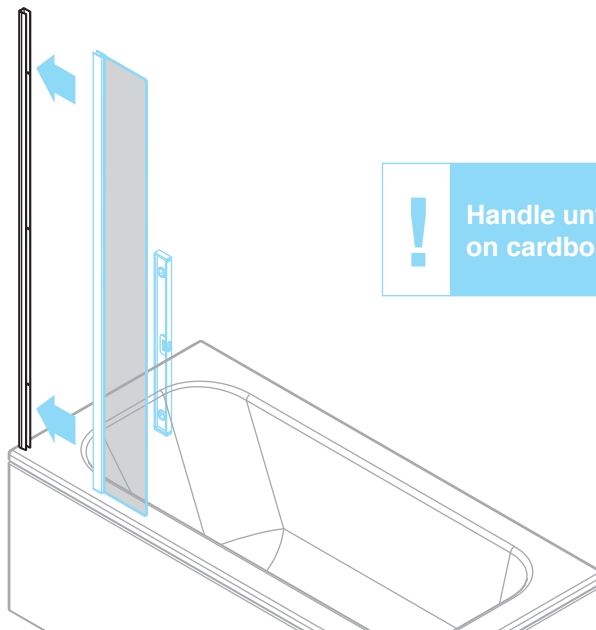
**1.3**



**2**



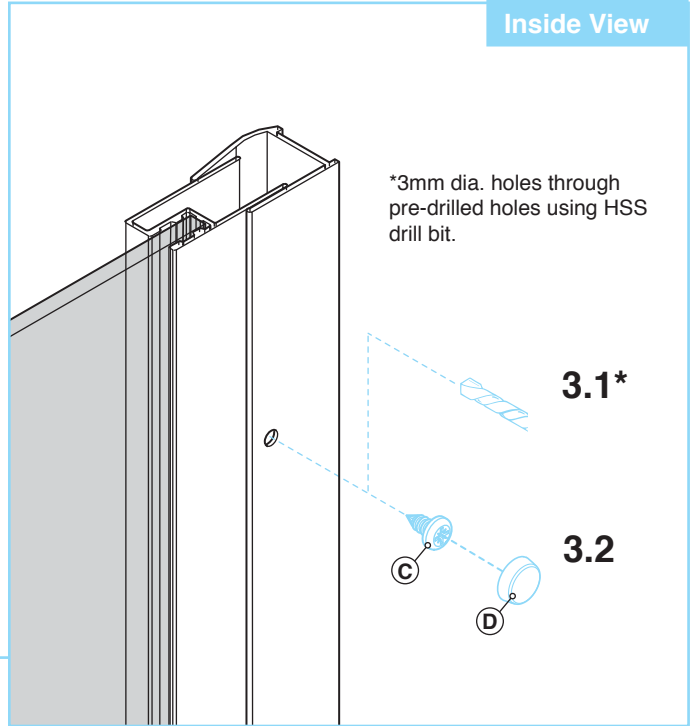
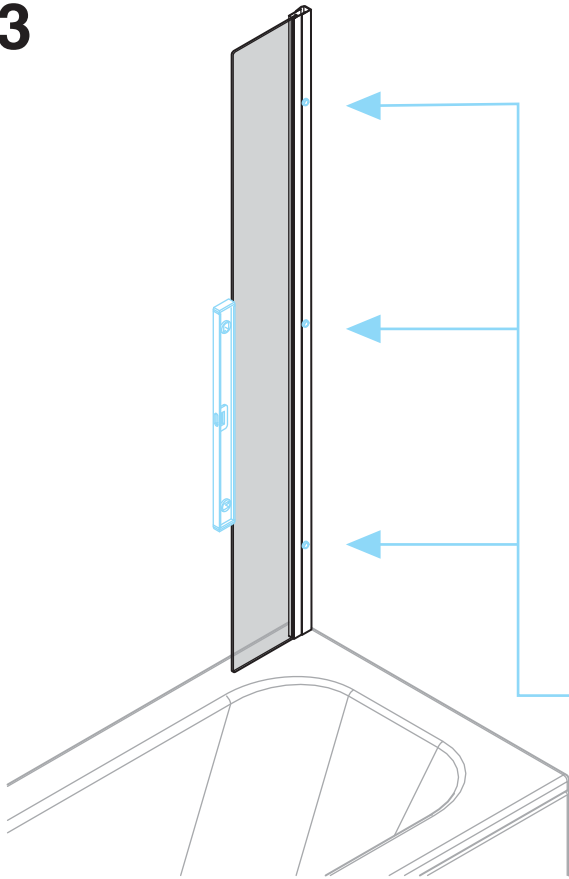
Ensure Glass Screen is level



Handle unframed glass with care - support on cardboard to avoid risk of breakage.

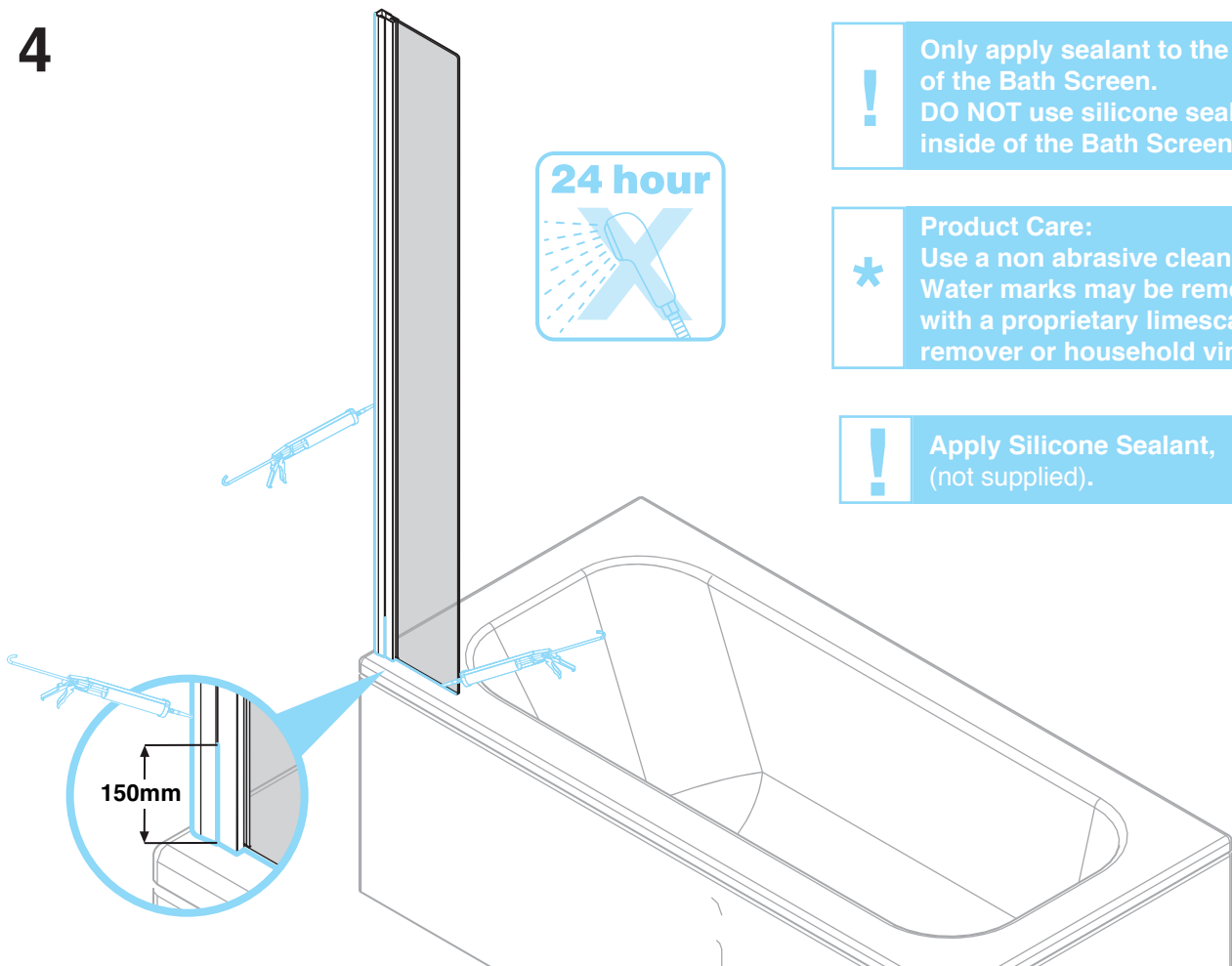
Inside View

3



Ensure Bath Screen is level prior to fixing, adjust to suit.

4



Only apply sealant to the outside of the Bath Screen.  
DO NOT use silicone sealant on inside of the Bath Screen.



Product Care:  
Use a non abrasive cleaner.  
Water marks may be removed with a proprietary limescale remover or household vinegar.



Apply Silicone Sealant, (not supplied).