

NL INSTALLATIEHANDLEIDING

FR INSTRUCTIONS D'INSTALLATION

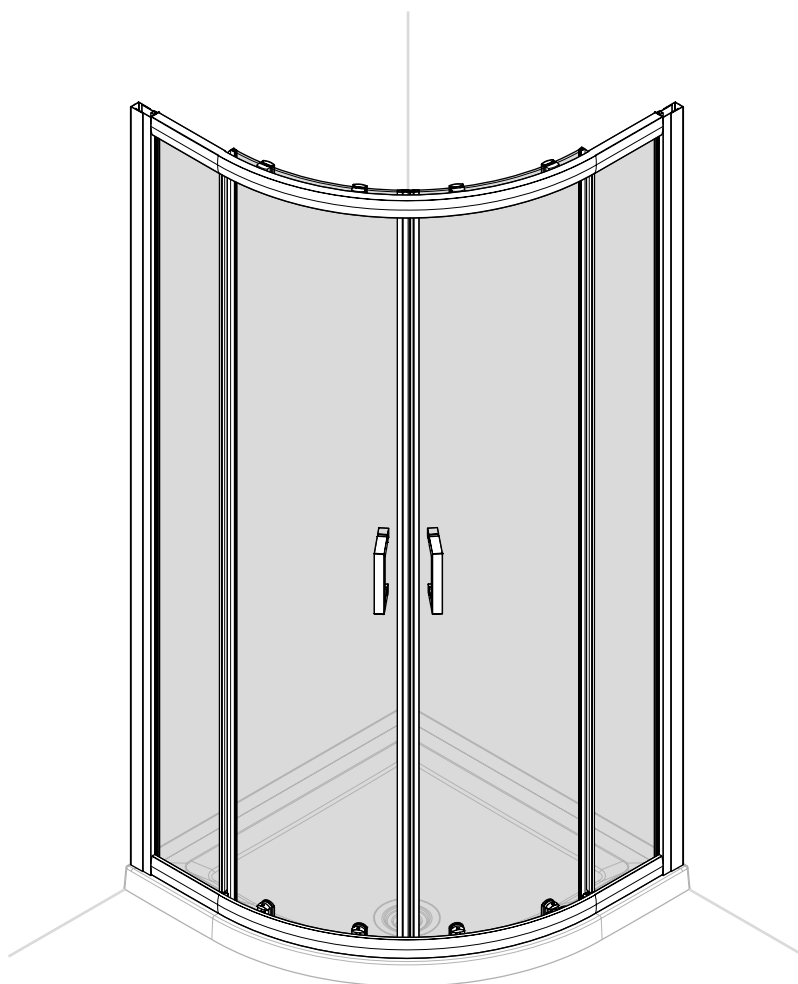
EN INSTALLATION INSTRUCTIONS

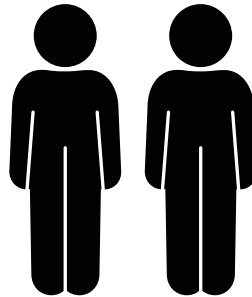
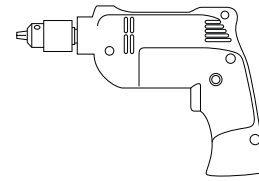
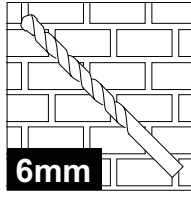
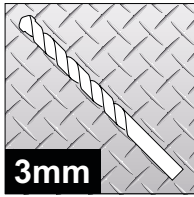
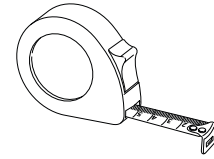
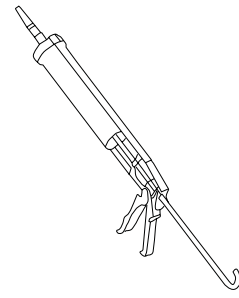
ES INSTRUCCIONES DE INSTALACIÓN

IT ISTRUZIONI DI INSTALLAZIONE

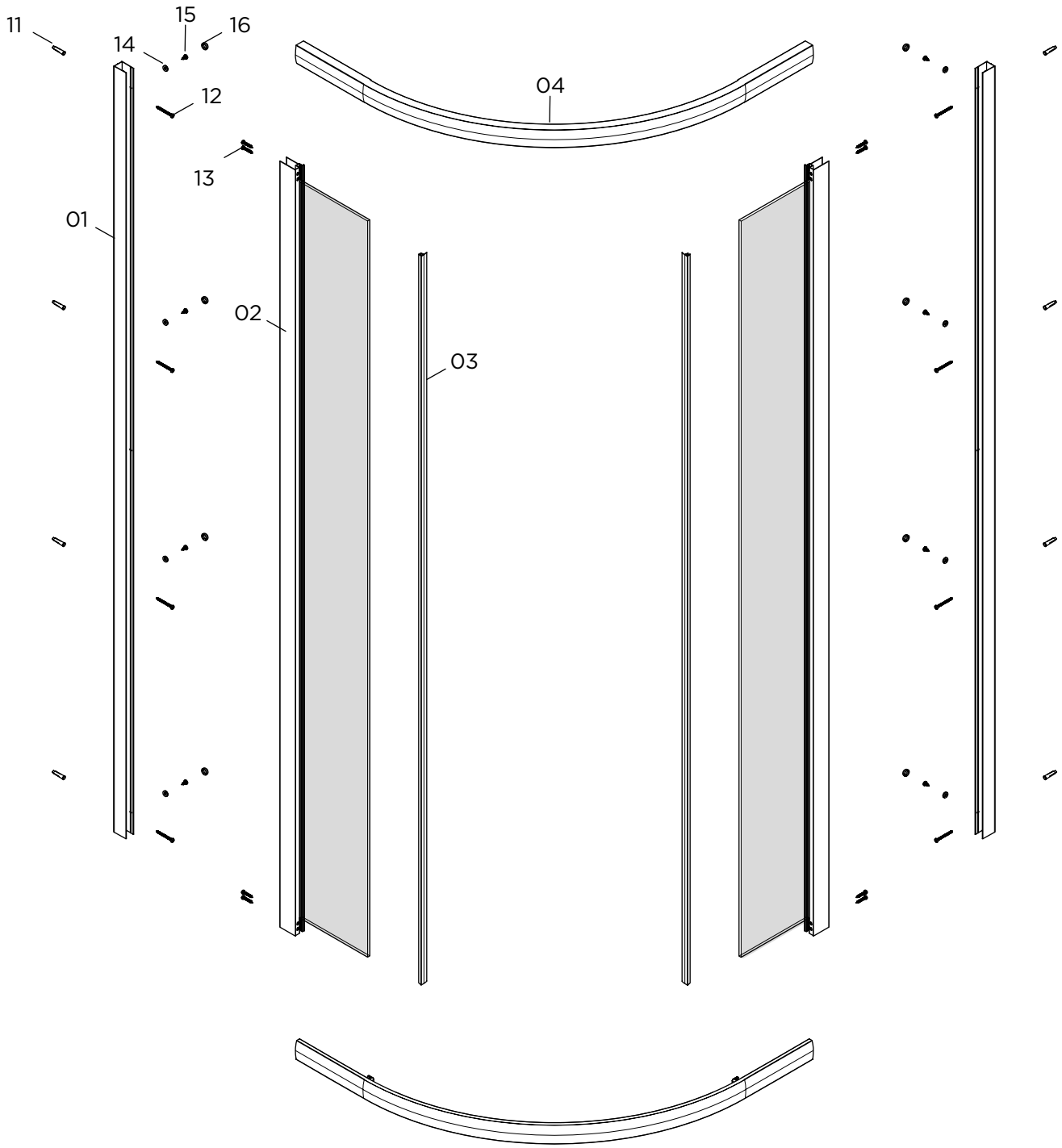
DE MONTAGEANLEITUNG

PL INSTRUKCJA INSTALACJI

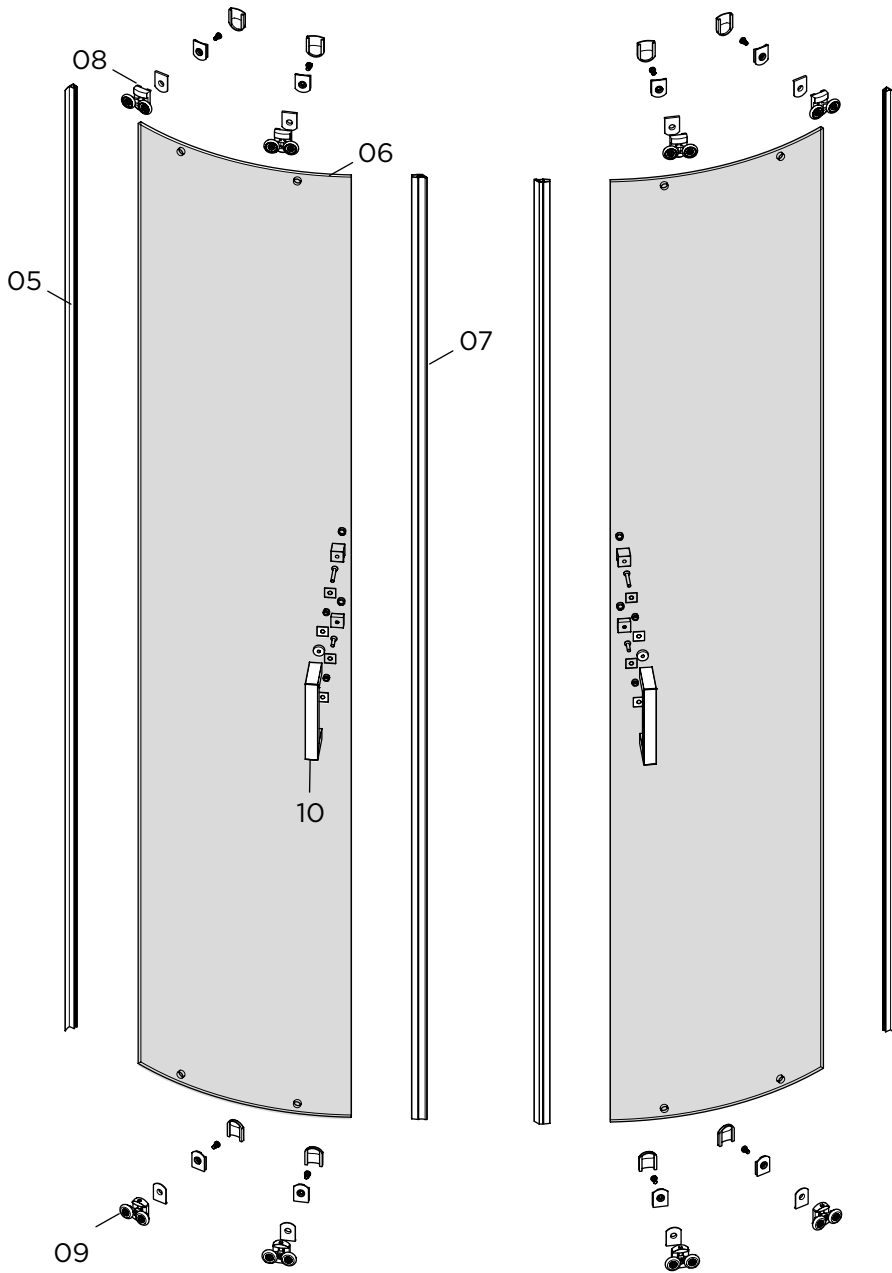




 EN 14428:2015



! EN 14428:2015

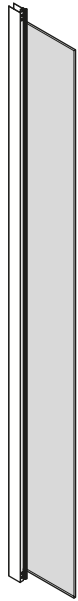


! EN 14428:2015

[01] x2



[02] x2



[03] x2



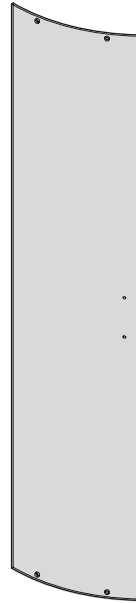
[04] x2



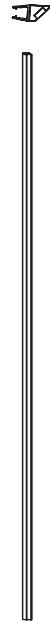
[05] x2



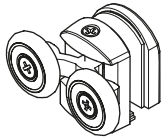
[06] x2



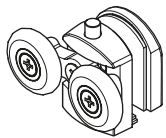
[07] x2



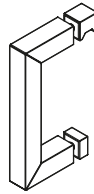
[08] x4



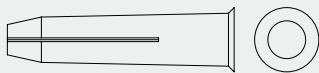
[09] x4



[10] x2



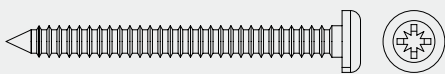
[11] x6



[14] x6



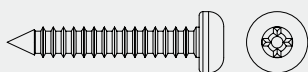
[12] x6



[15] x6



[13] x8



[16] x6



1:1

01

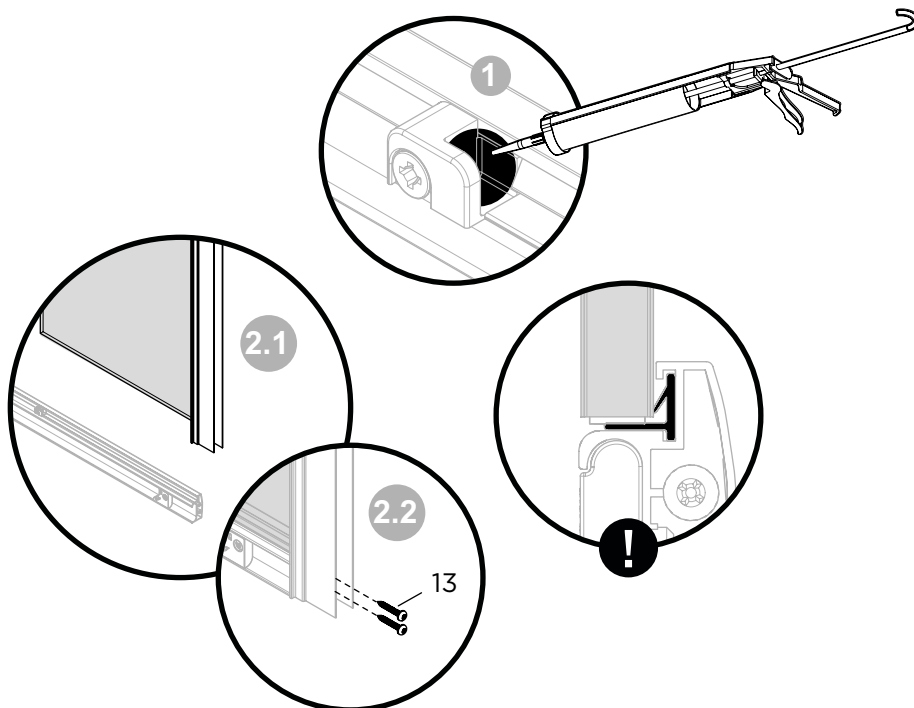
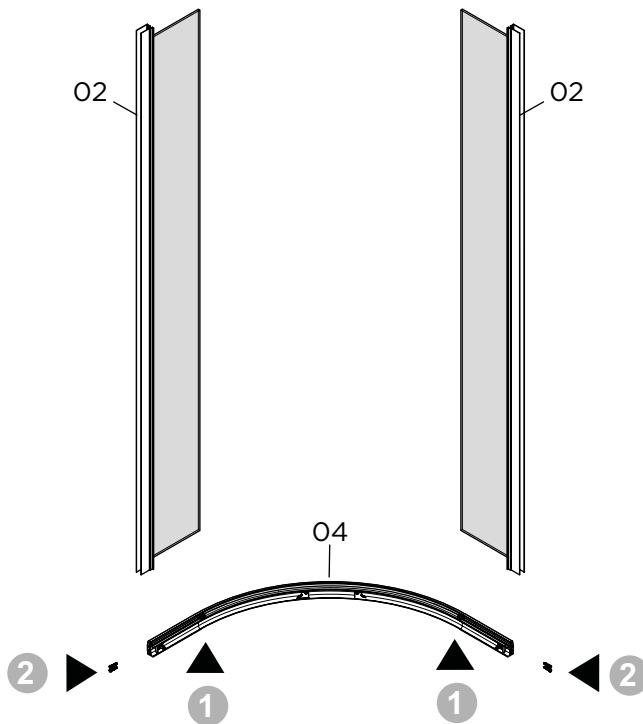
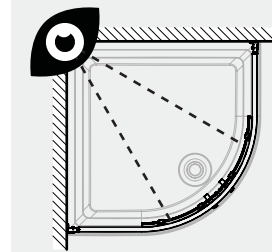
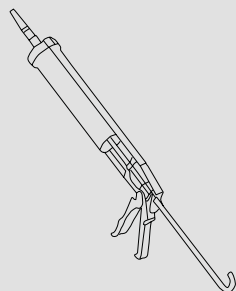
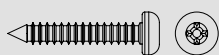
[04] x1

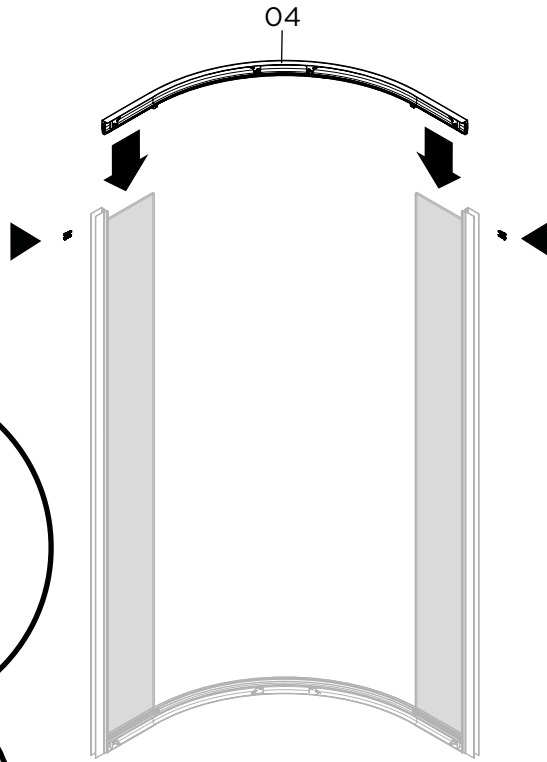
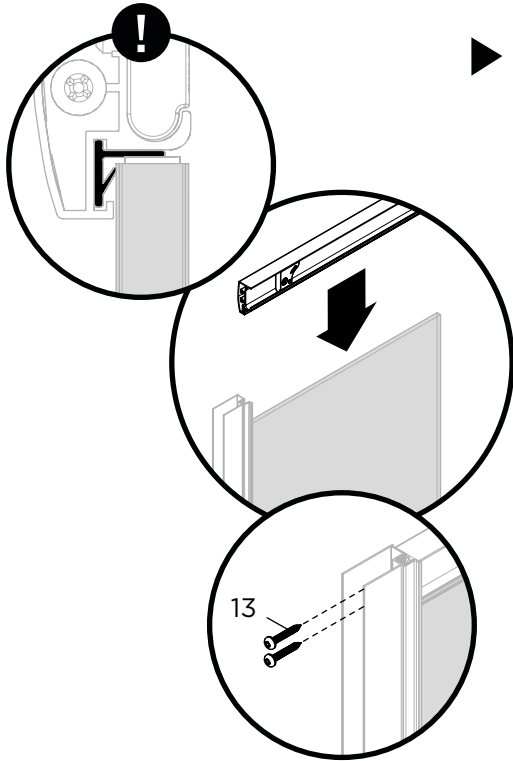
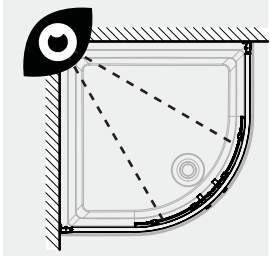


[02] x2



[13] x4



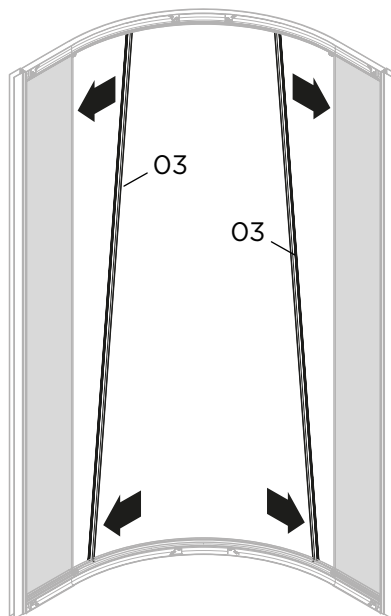
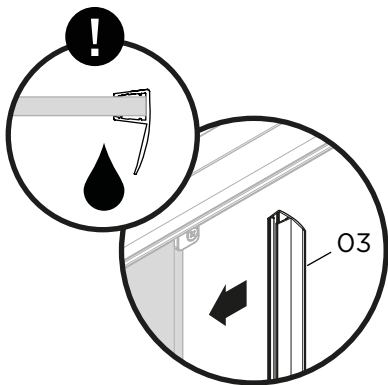
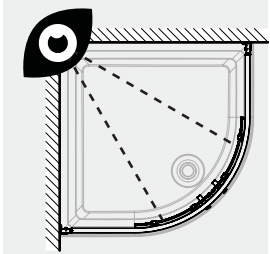


02

[04] x1



[13] x4



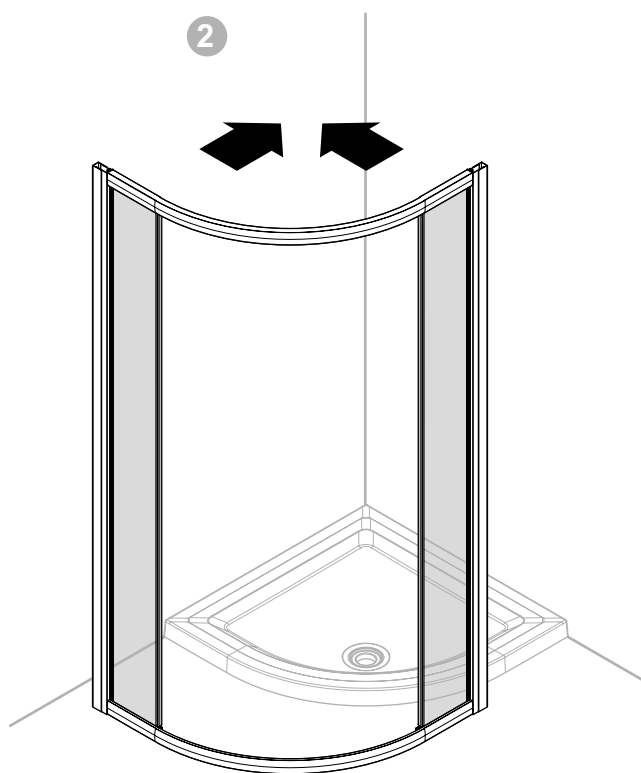
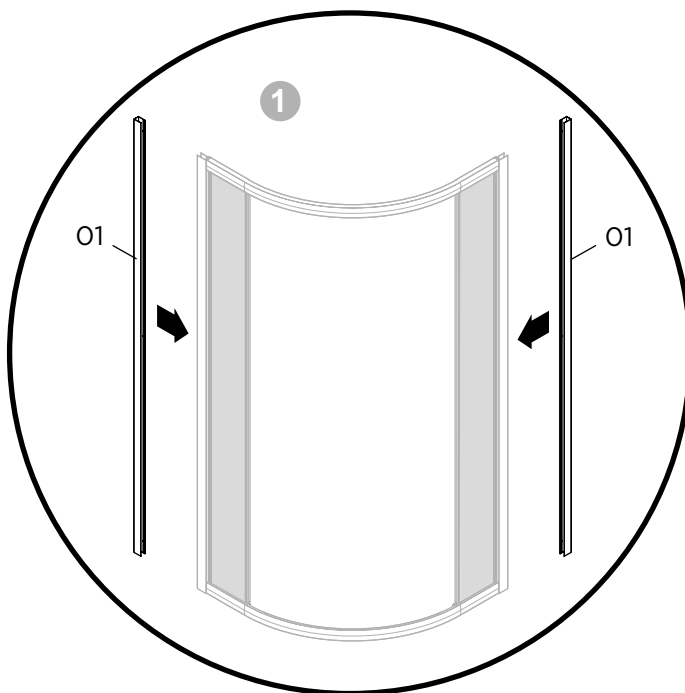
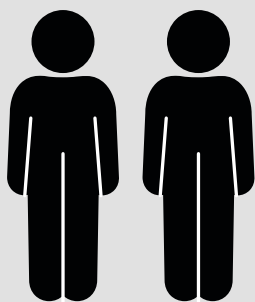
03

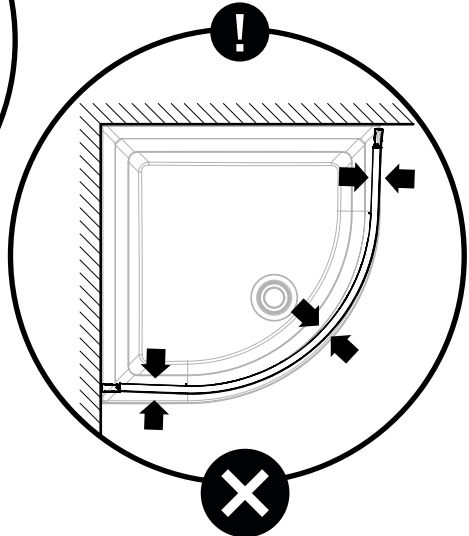
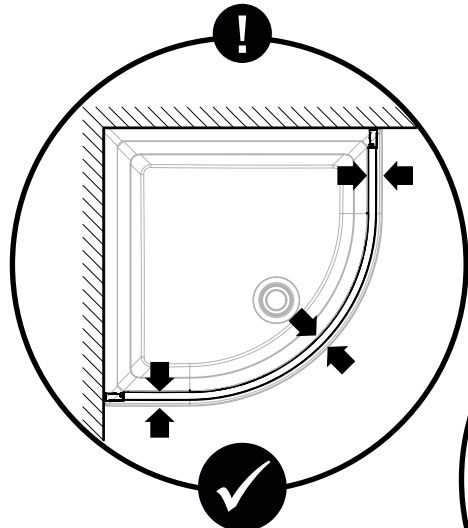
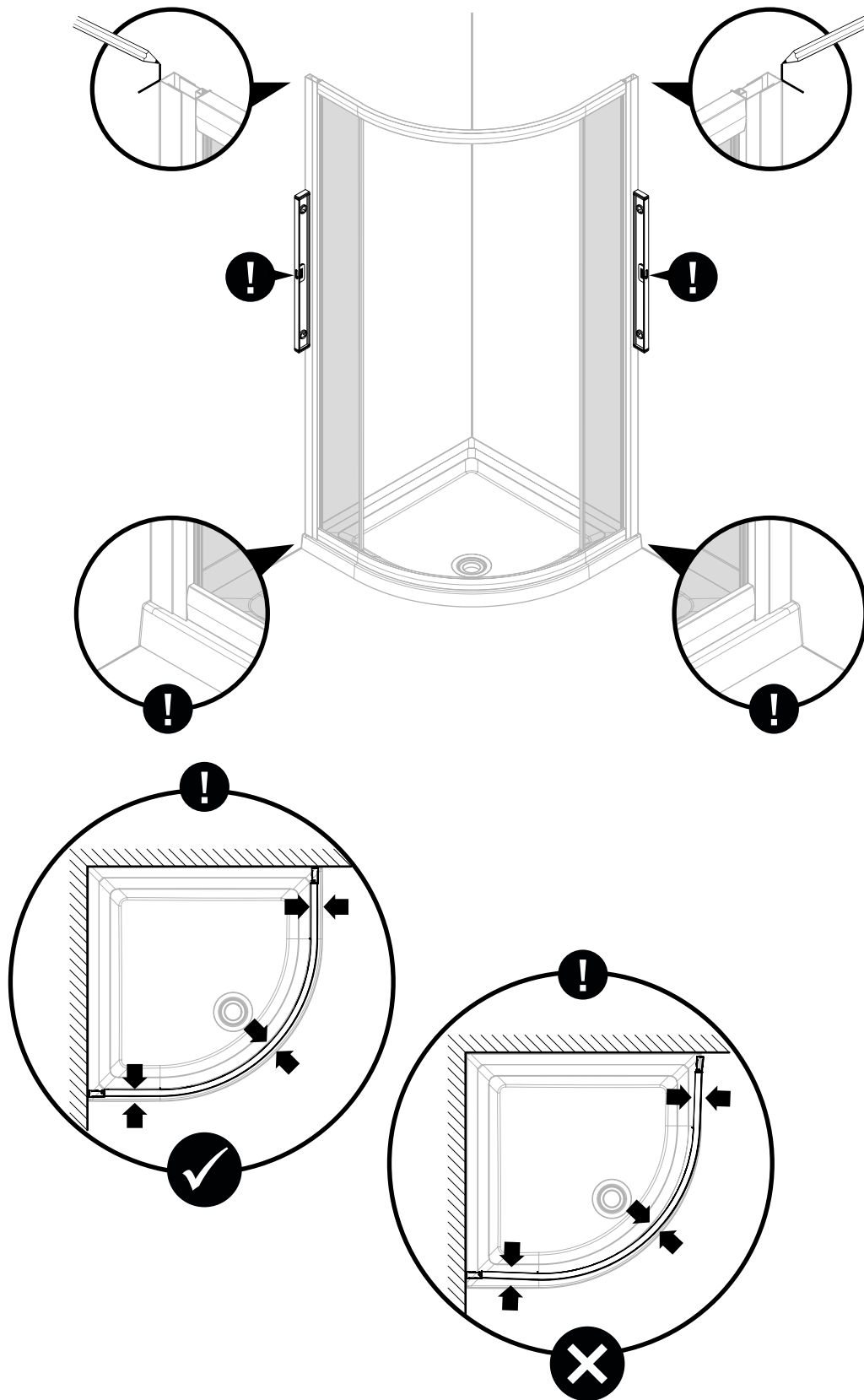
[03] x2

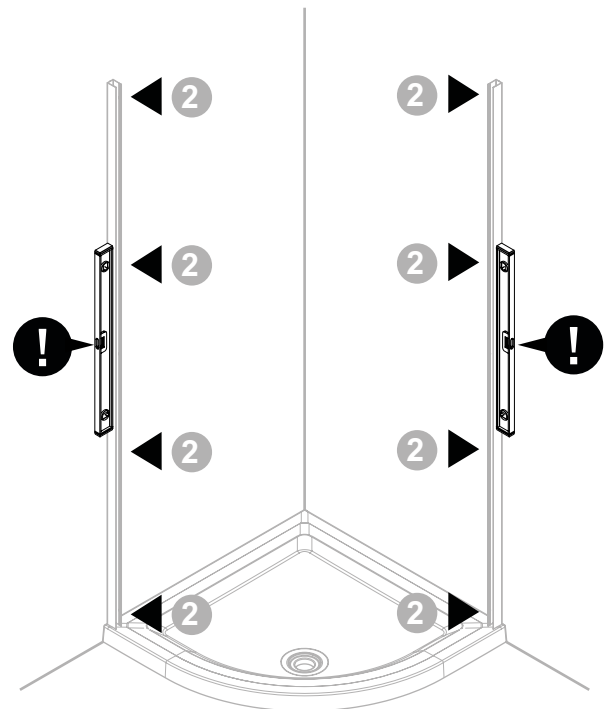
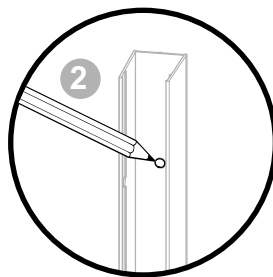
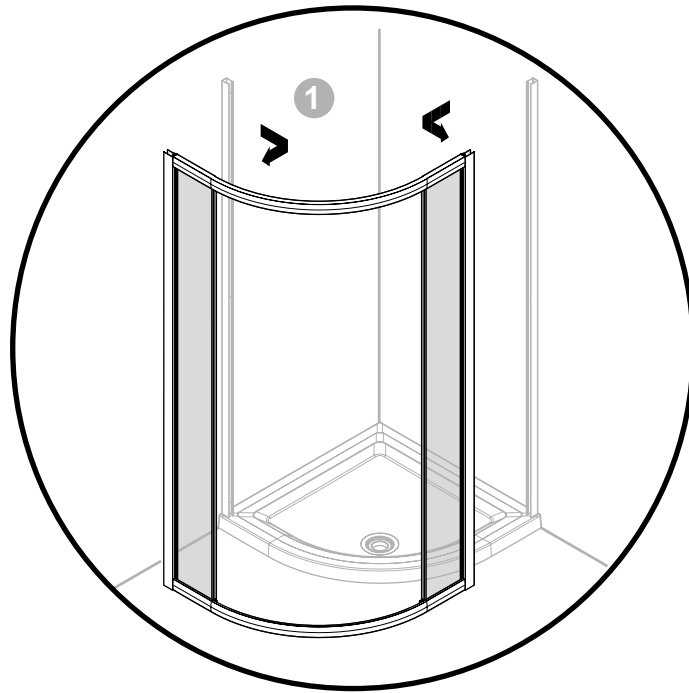


04

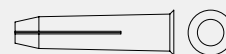
[01] x2



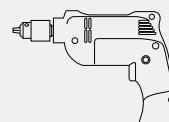
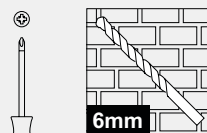
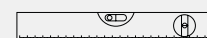
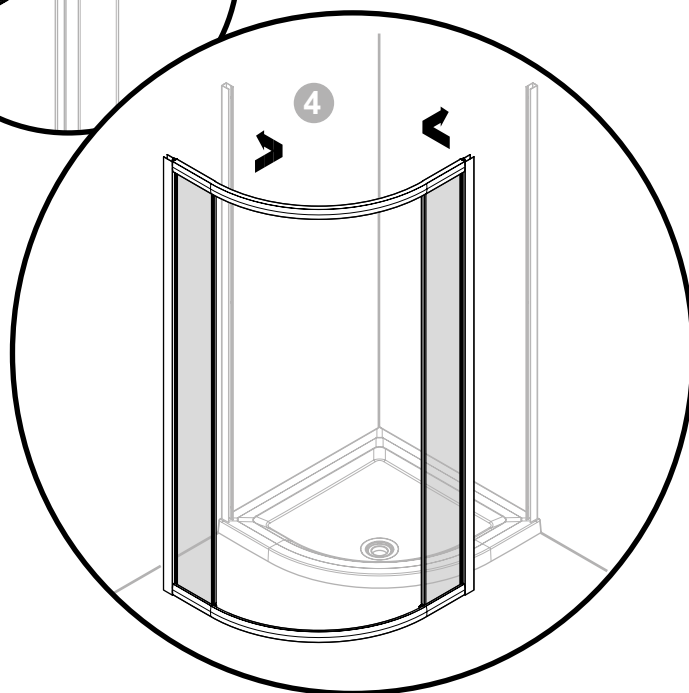
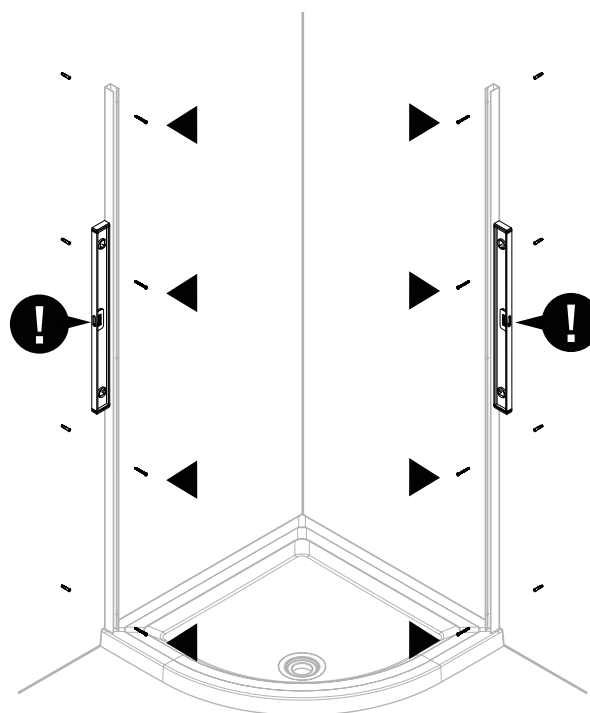
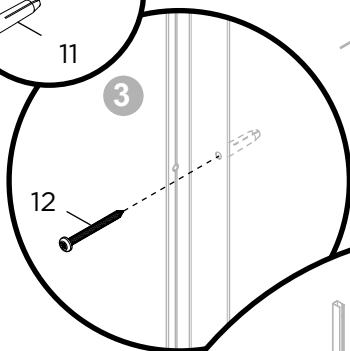
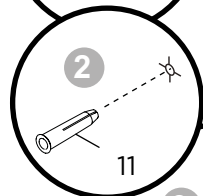
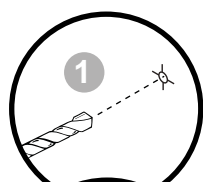




[11] x8



[12] x8

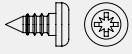


08

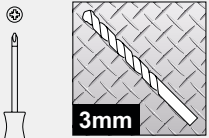
[14] x8



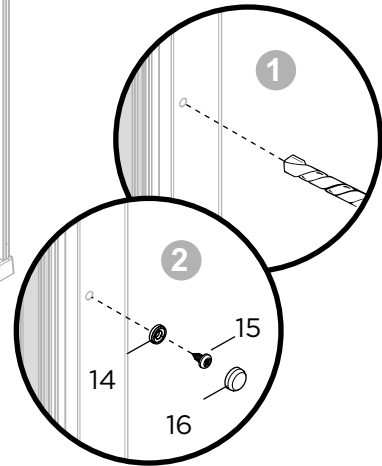
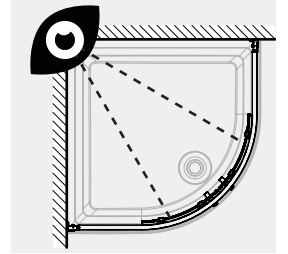
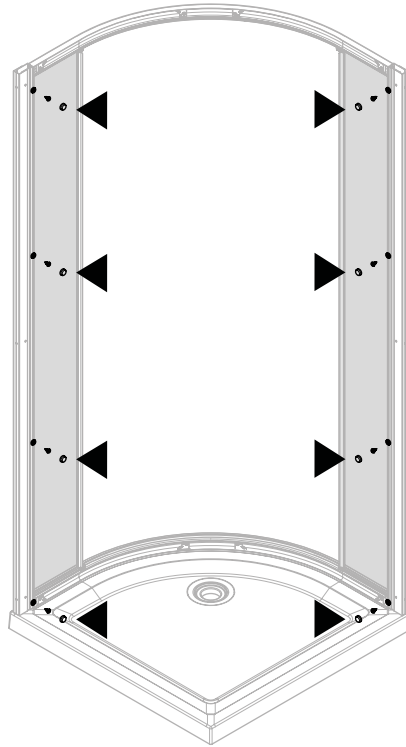
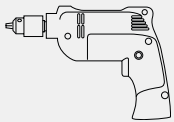
[15] x8



[16] x8

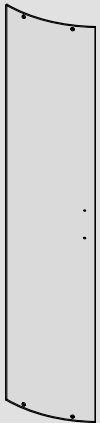


3mm

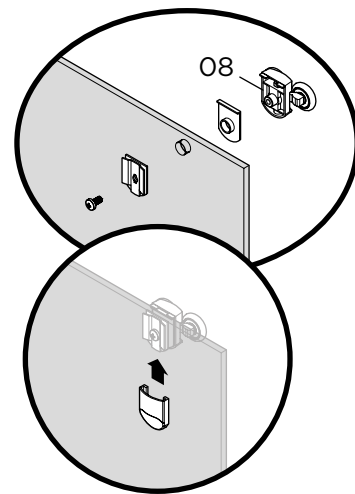
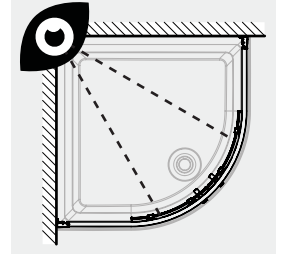
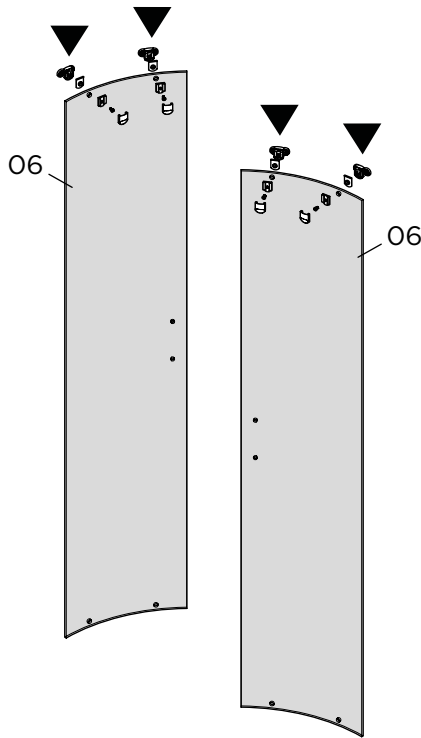
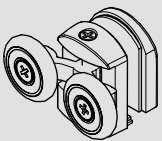


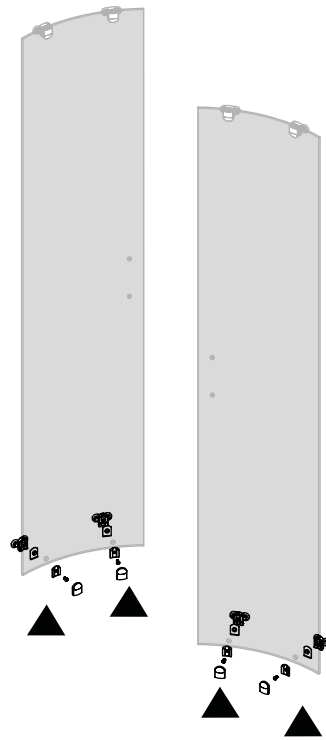
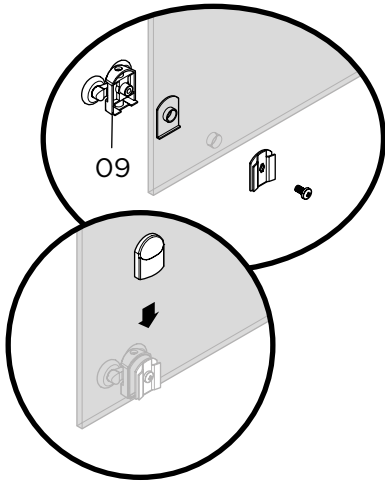
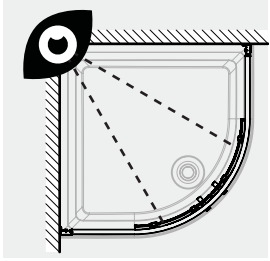
09

[06] x2



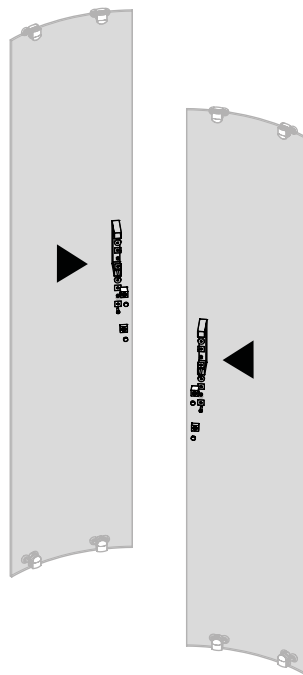
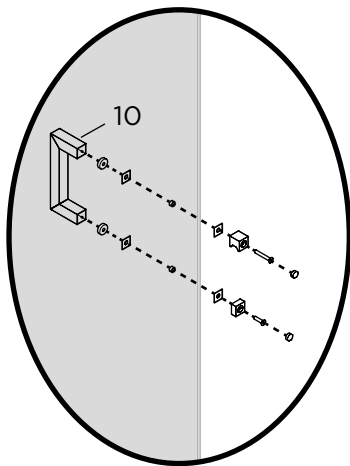
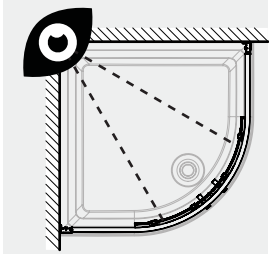
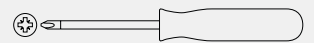
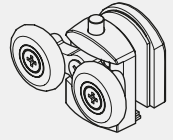
[08] x4





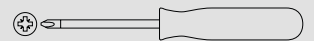
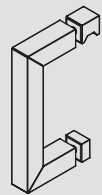
10

[09] x4



11

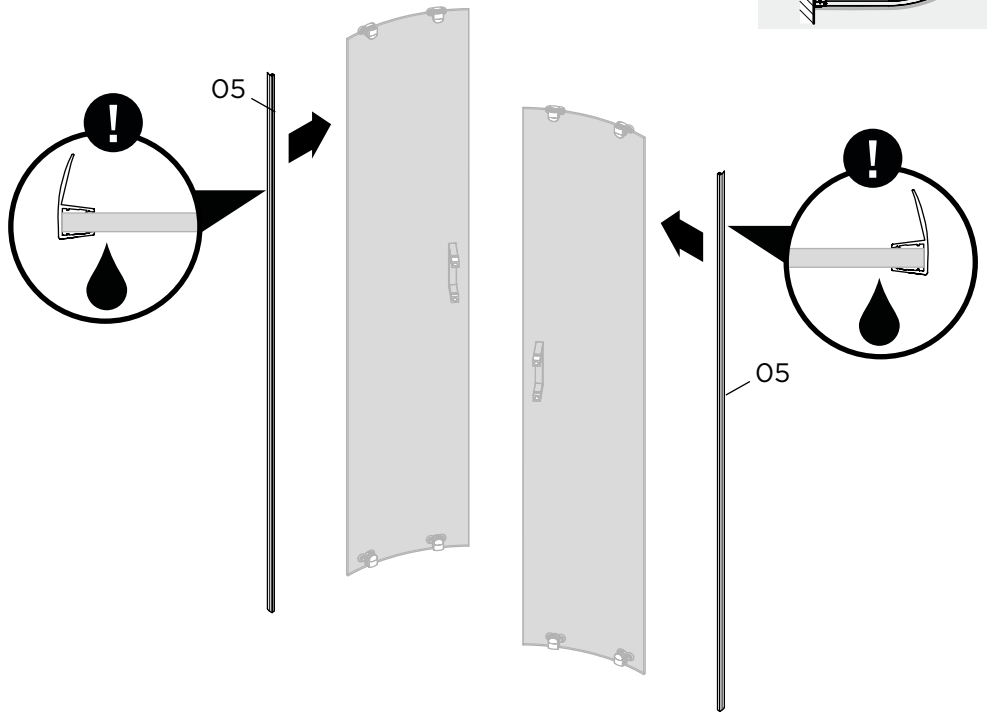
[10] x2



12

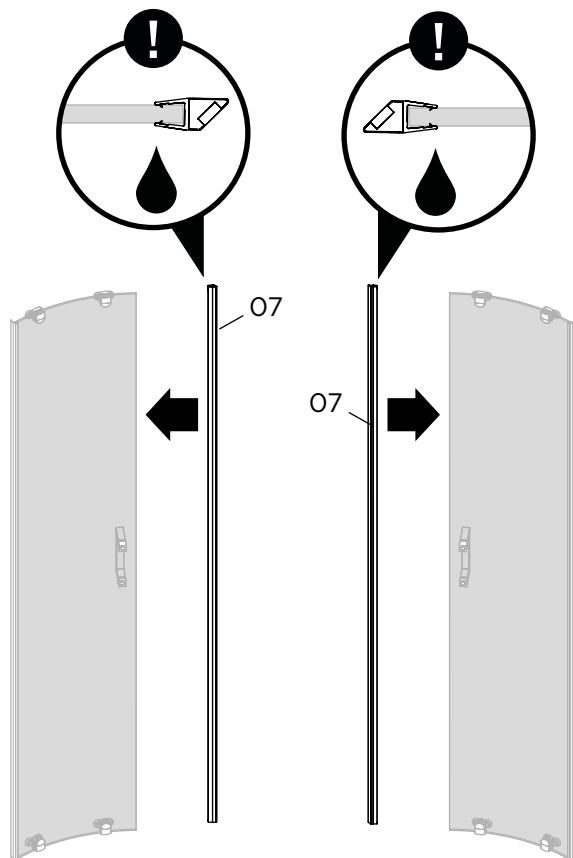
[05] x2

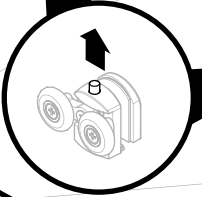
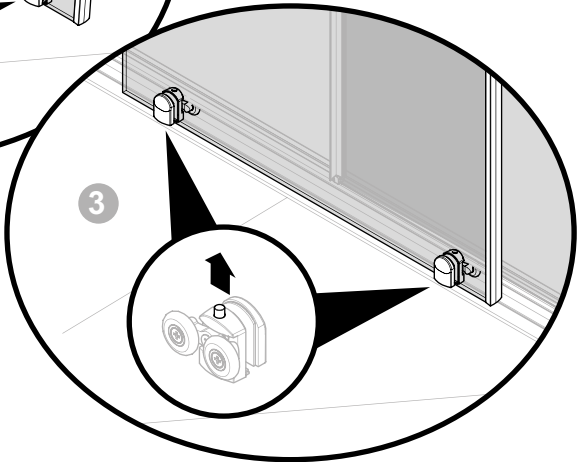
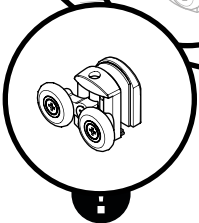
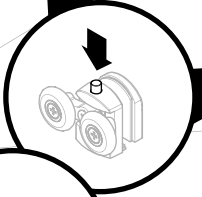
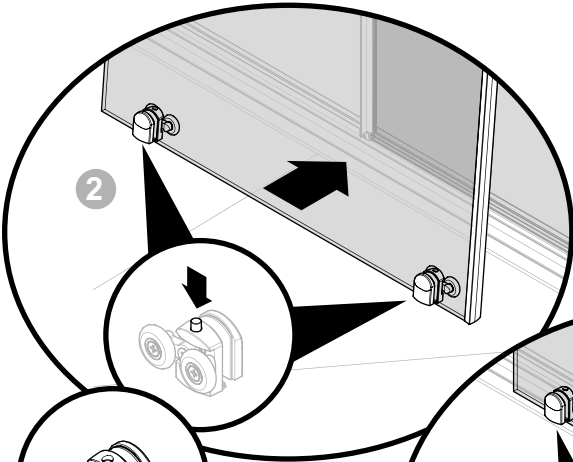
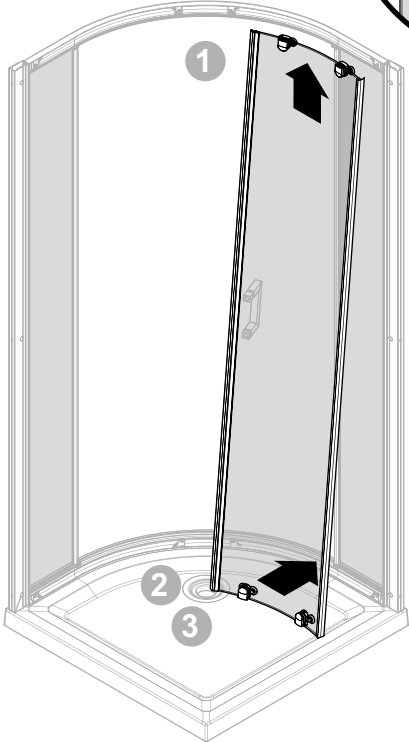
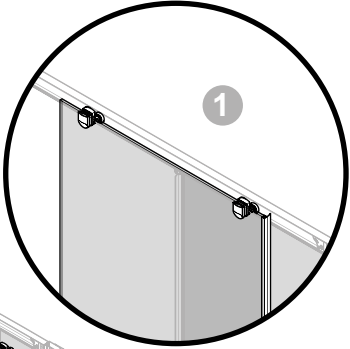
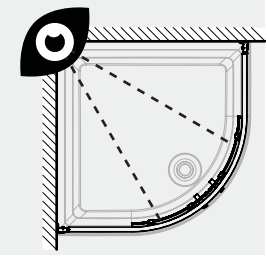
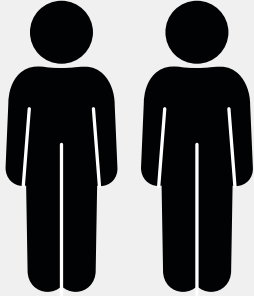
F

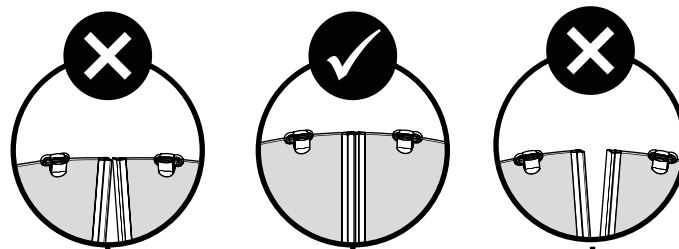
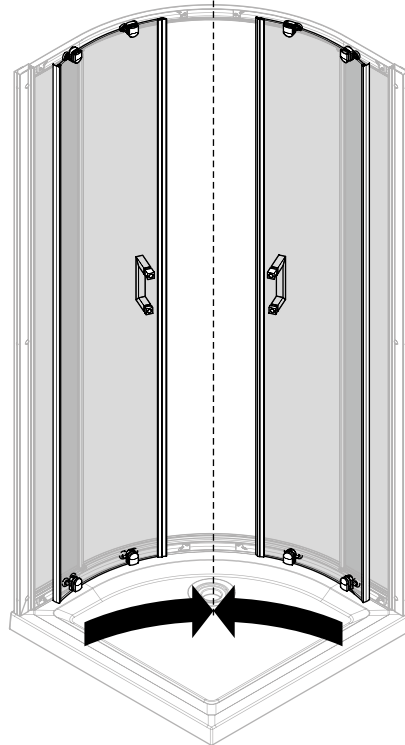
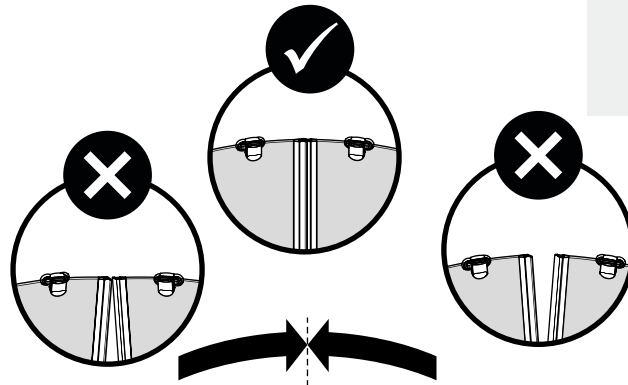
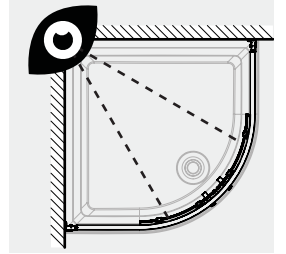


13

[07] x2



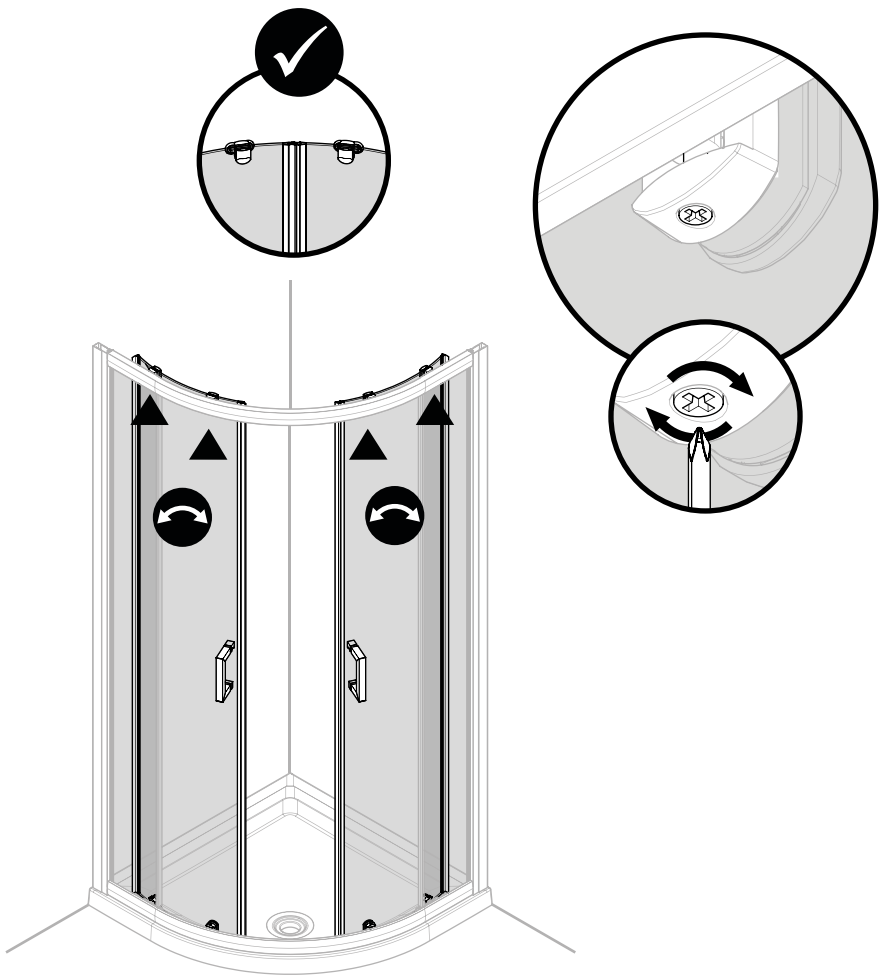




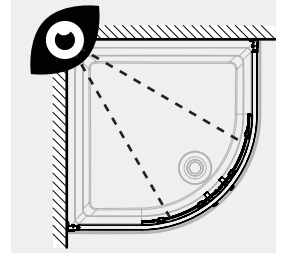
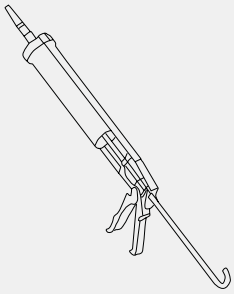
16

17

16



17



18

