

NL INSTALLATIEHANDLEIDING

FR INSTRUCTIONS D'INSTALLATION

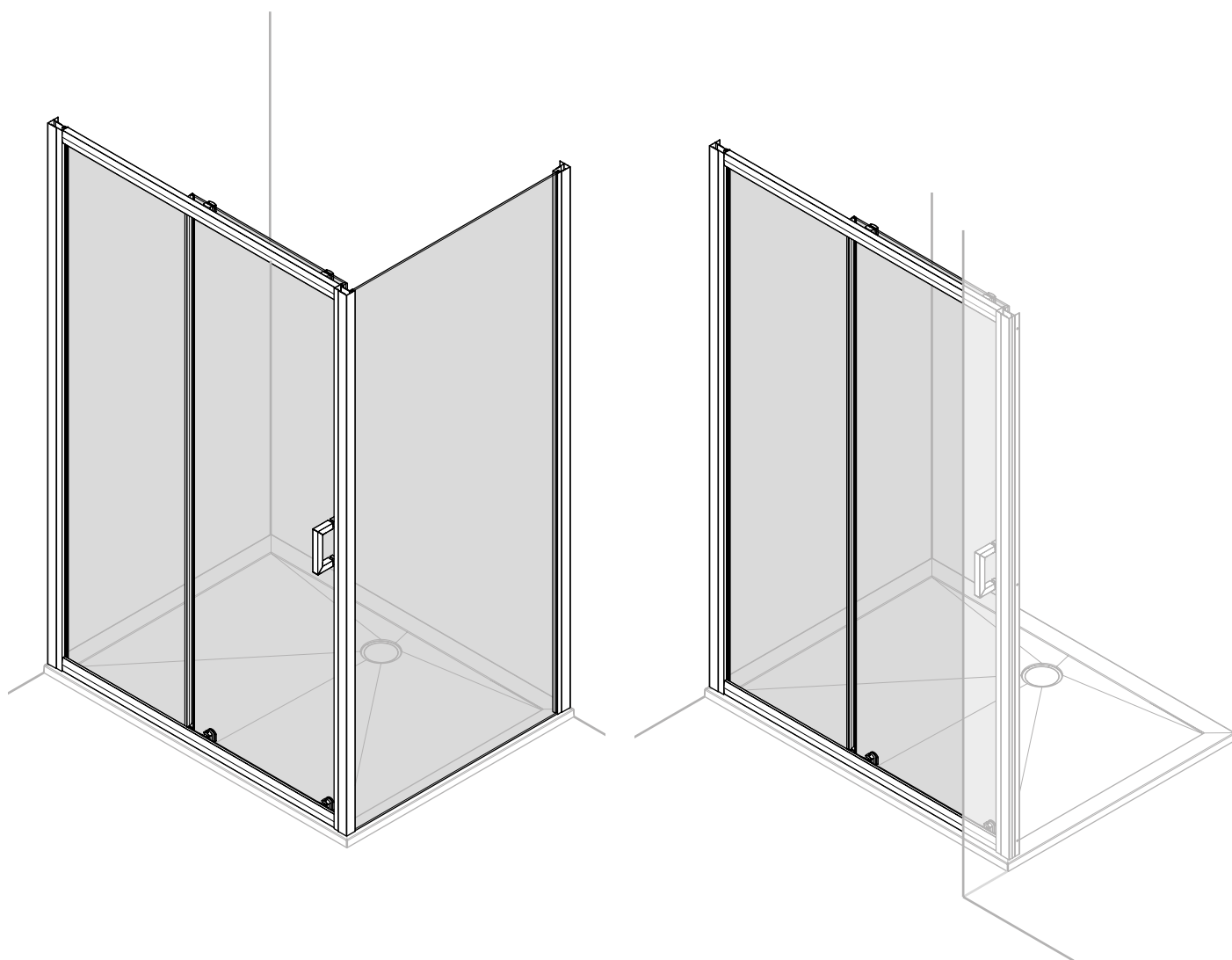
EN INSTALLATION INSTRUCTIONS

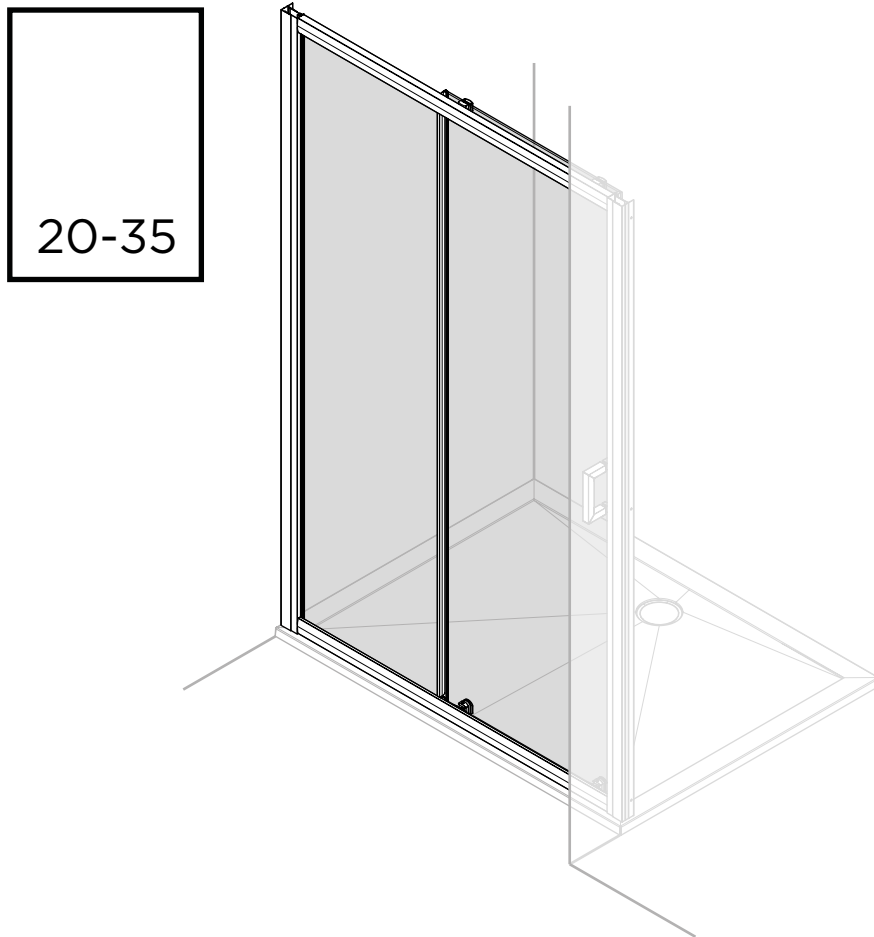
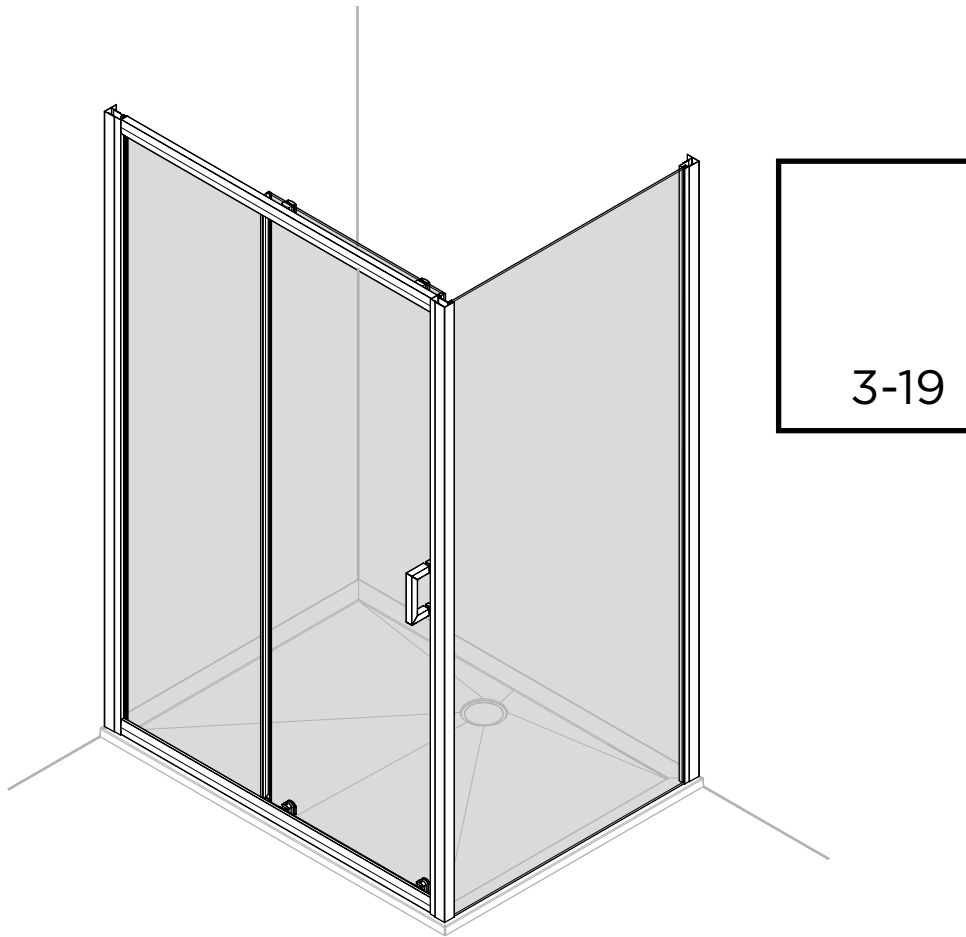
ES INSTRUCCIONES DE INSTALACIÓN

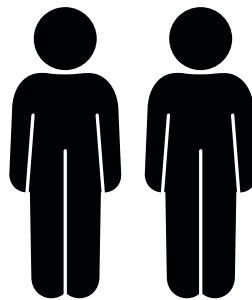
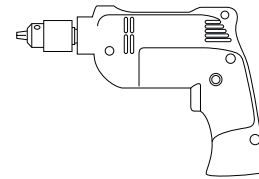
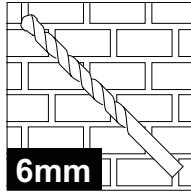
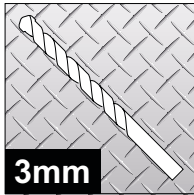
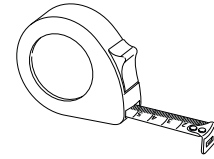
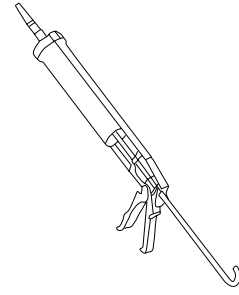
IT ISTRUZIONI DI INSTALLAZIONE

DE MONTAGEANLEITUNG

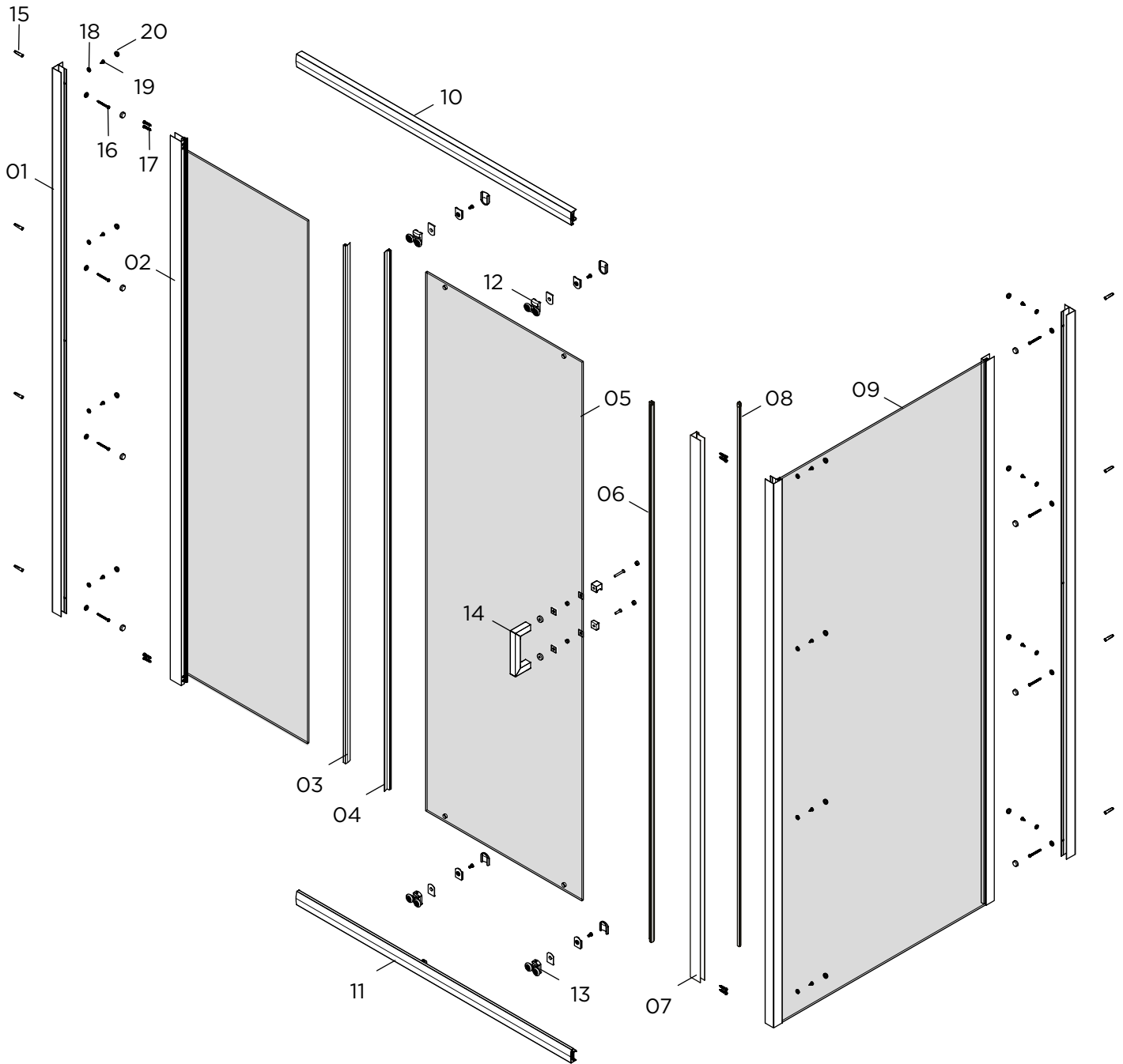
PL INSTRUKCJA INSTALACJI







 EN 14428:2015

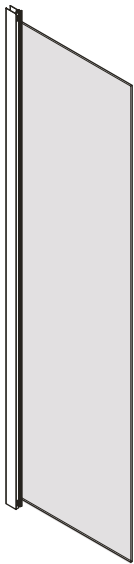


! EN 14428:2015

[01] x2



[02] x1



[03] x1



[04] x1



[05] x1



[06] x1



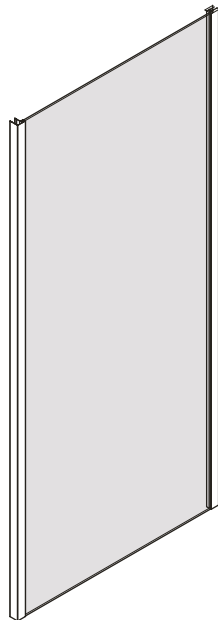
[07] x1



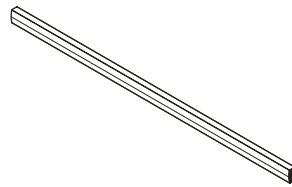
[08] x1



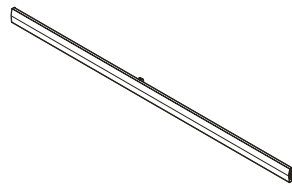
[09] x1



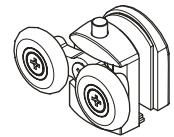
[10] x1



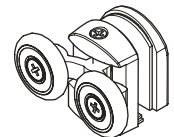
[11] x1



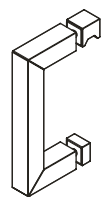
[12] x2



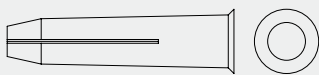
[13] x2



[14] x1



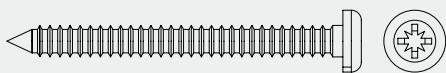
[15] x8



[18] x20



[16] x8



[19] x12



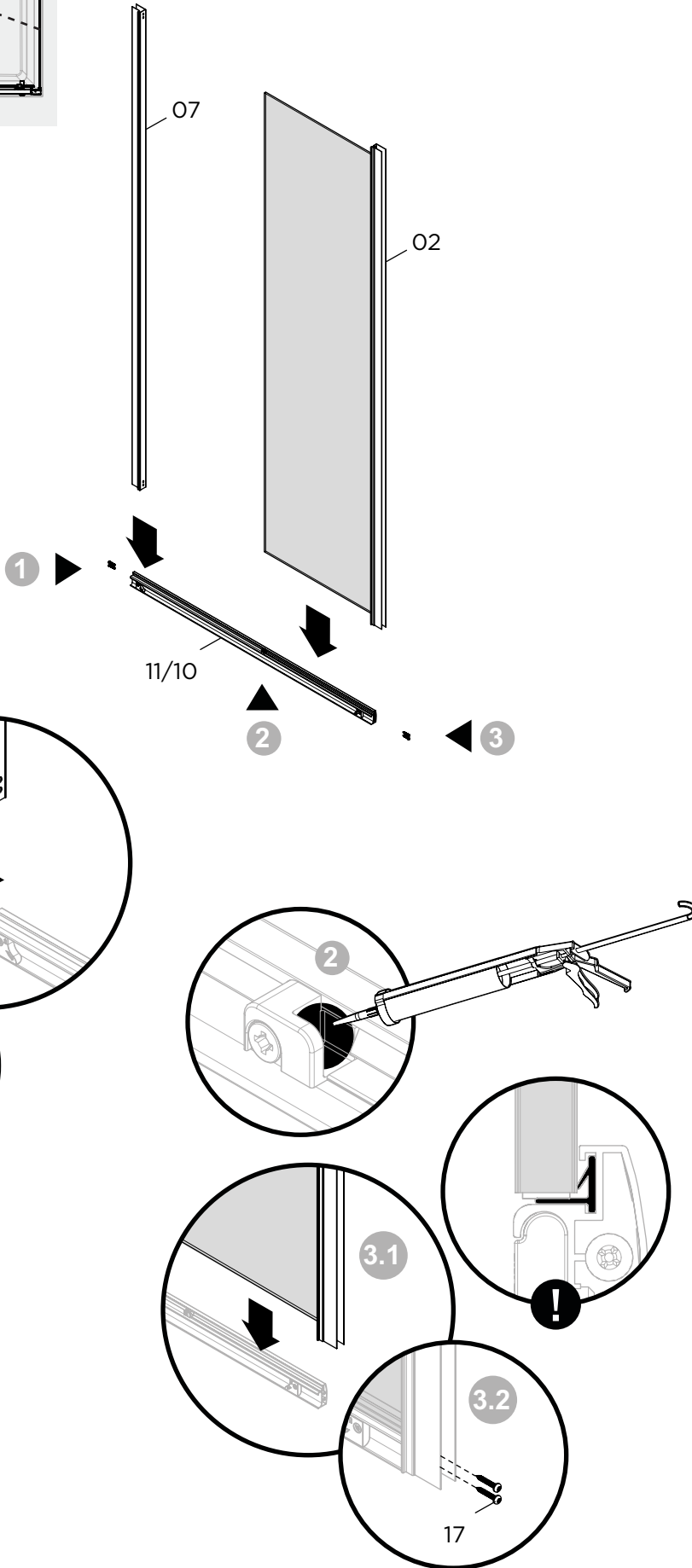
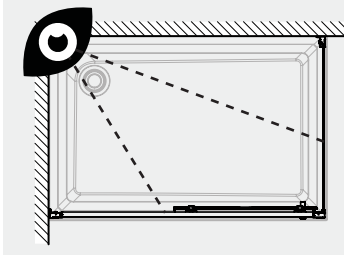
[17] x8



[20] x20



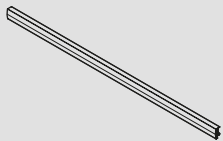
1:1



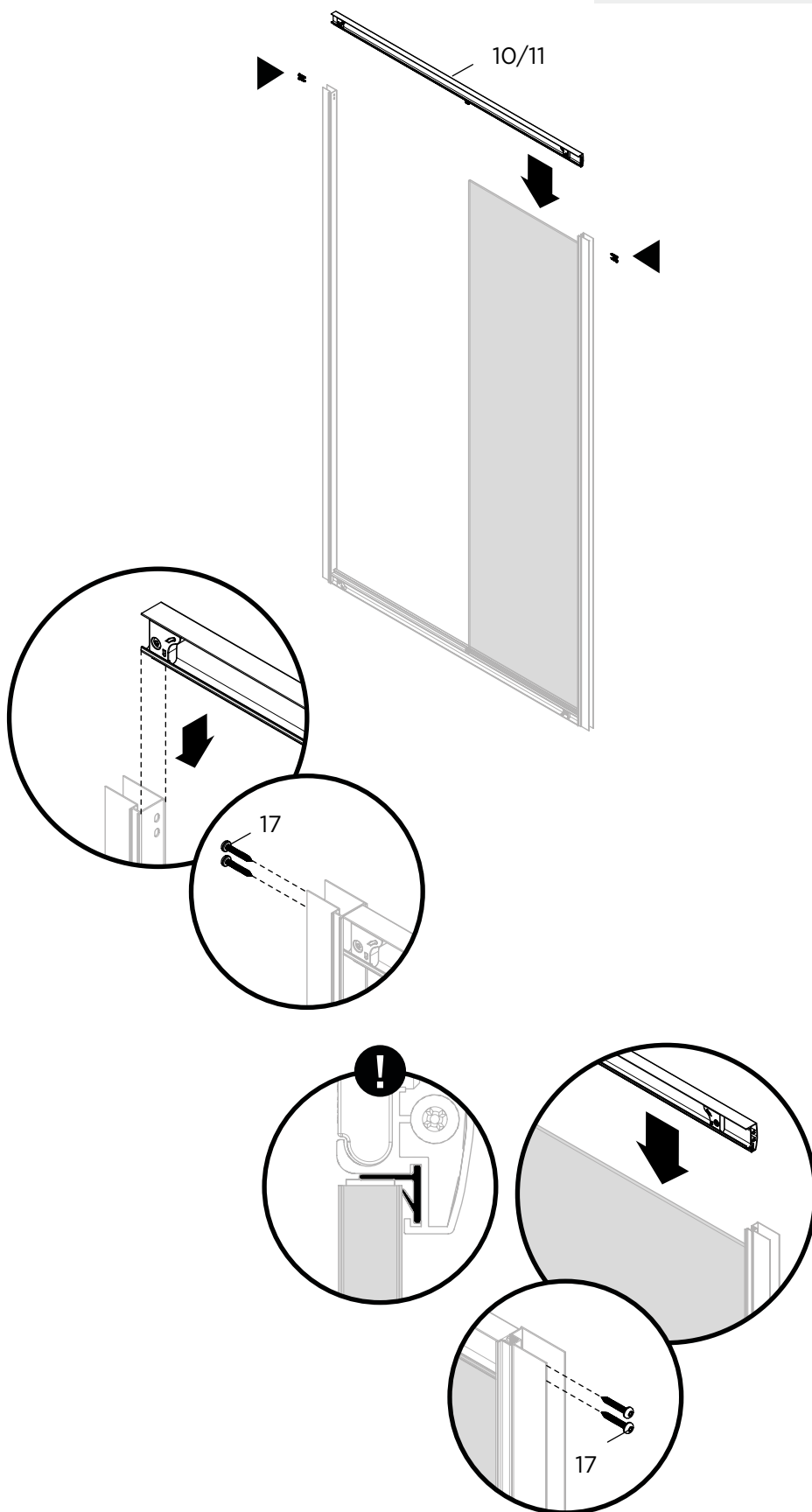
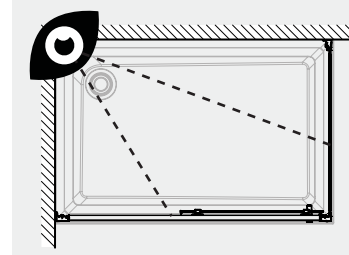
- [02] x1
 - [07] x1
 - [11/10] x1
 - [17] x4
-
-

02

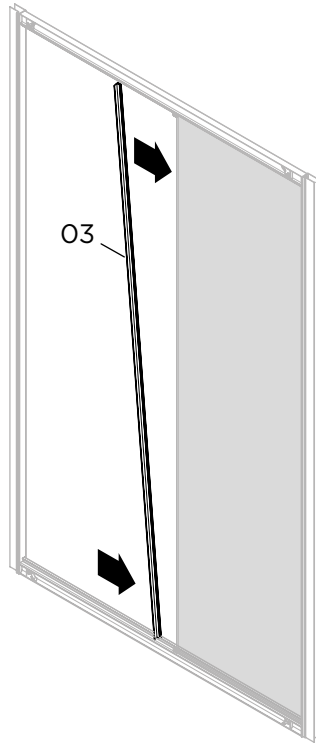
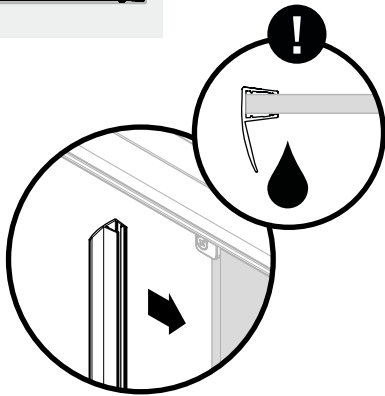
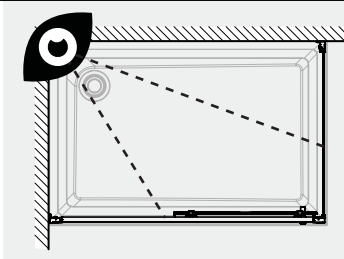
[10/11] x1



[17] x4



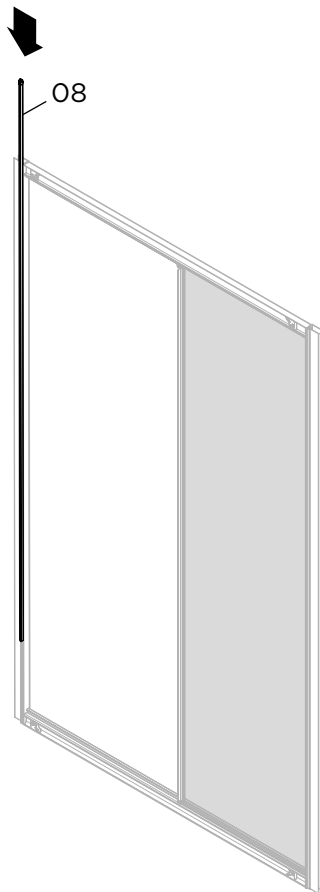
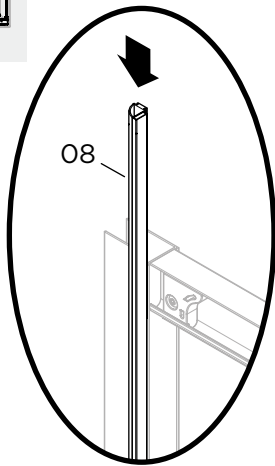
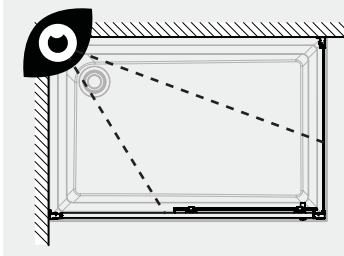
03



[03] x1



04



[08] x1

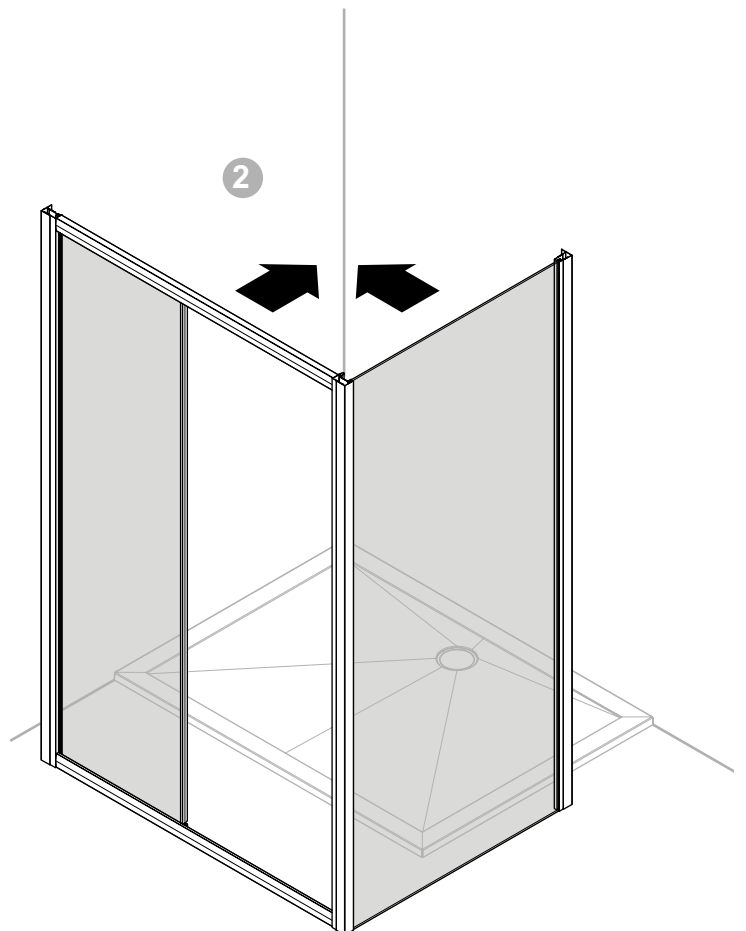
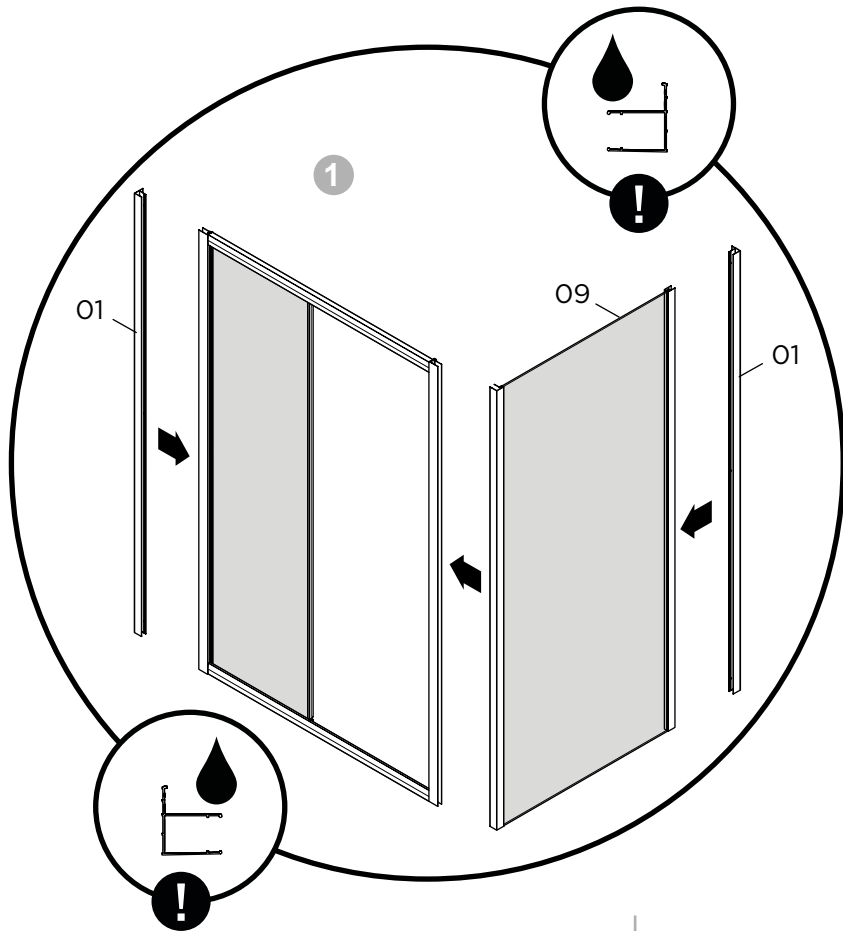
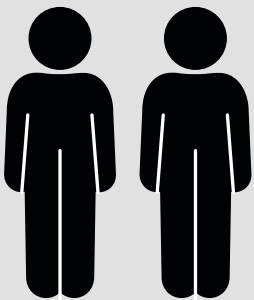
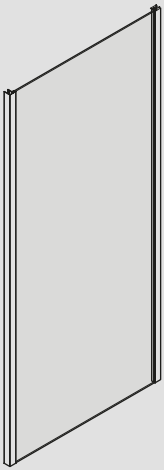


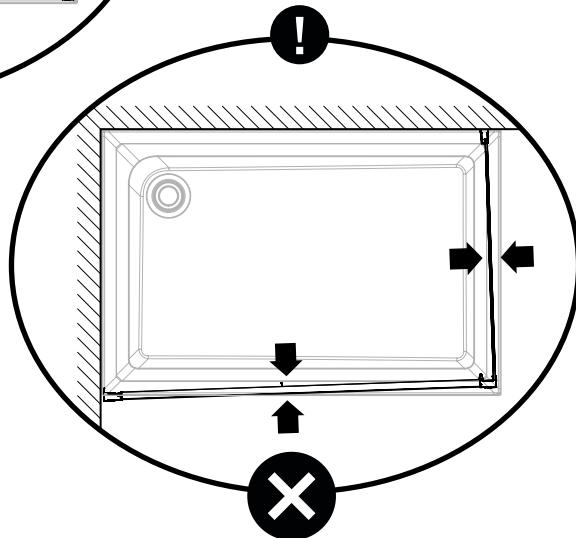
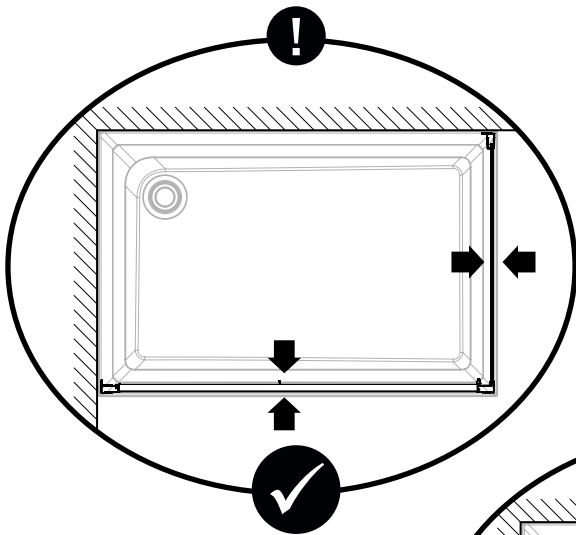
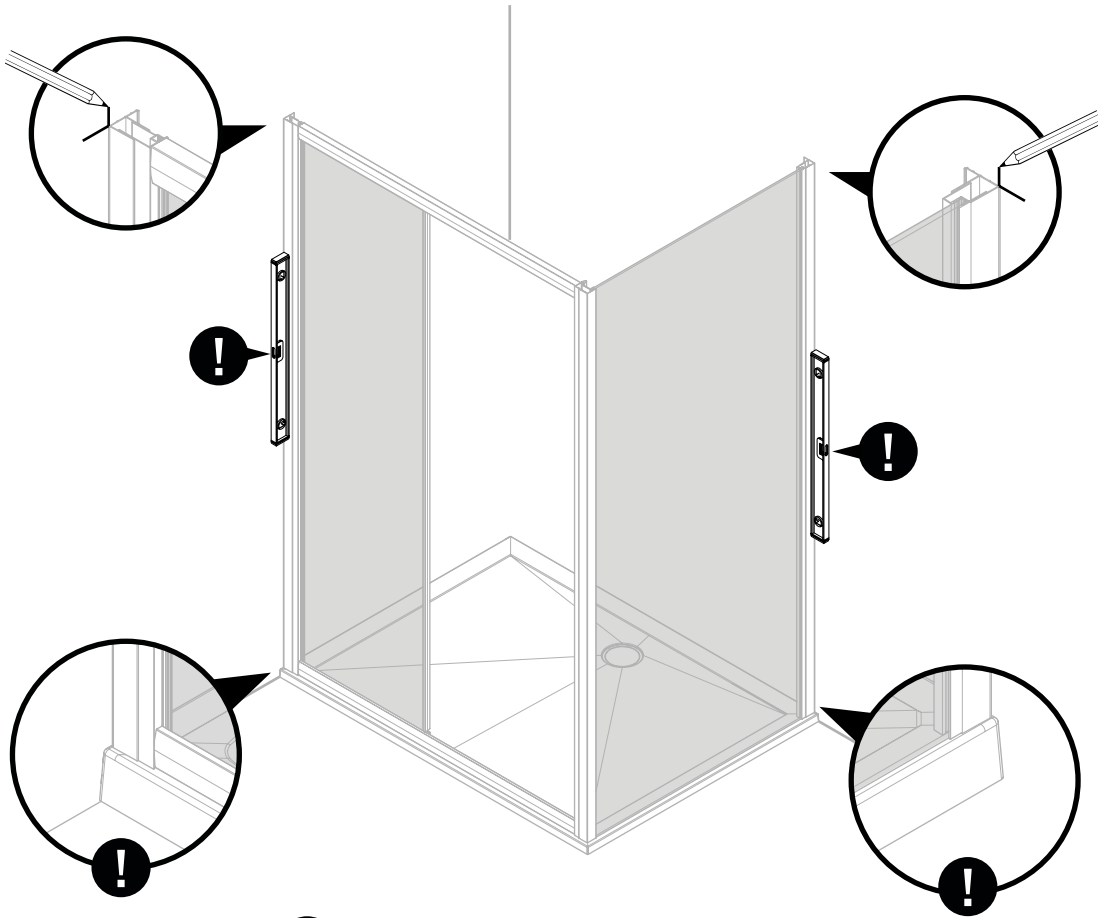
05

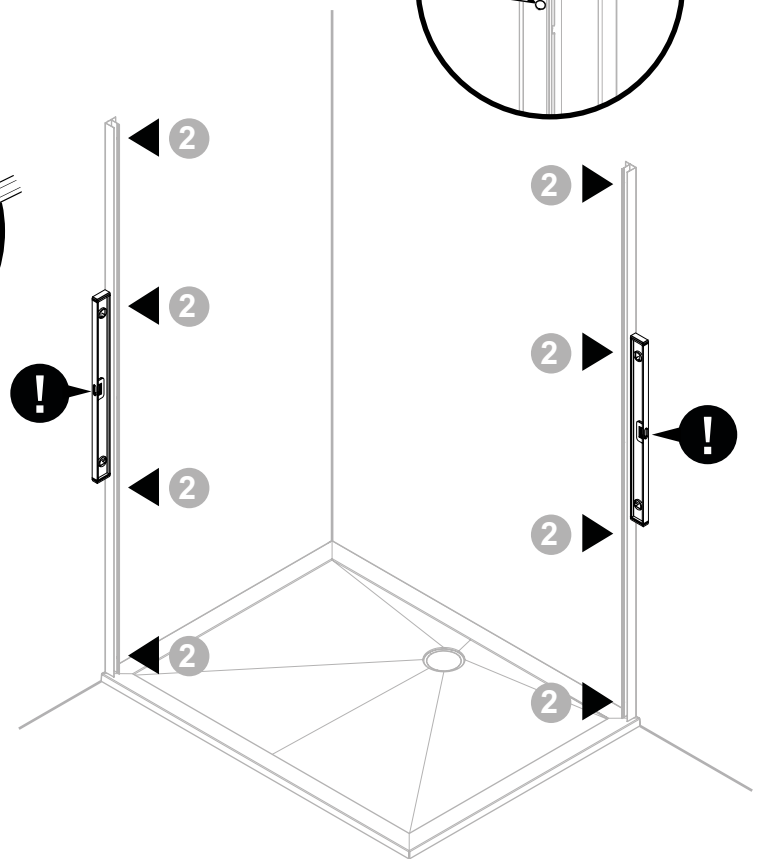
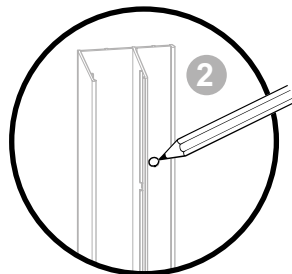
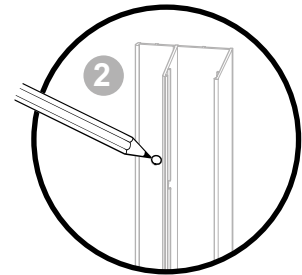
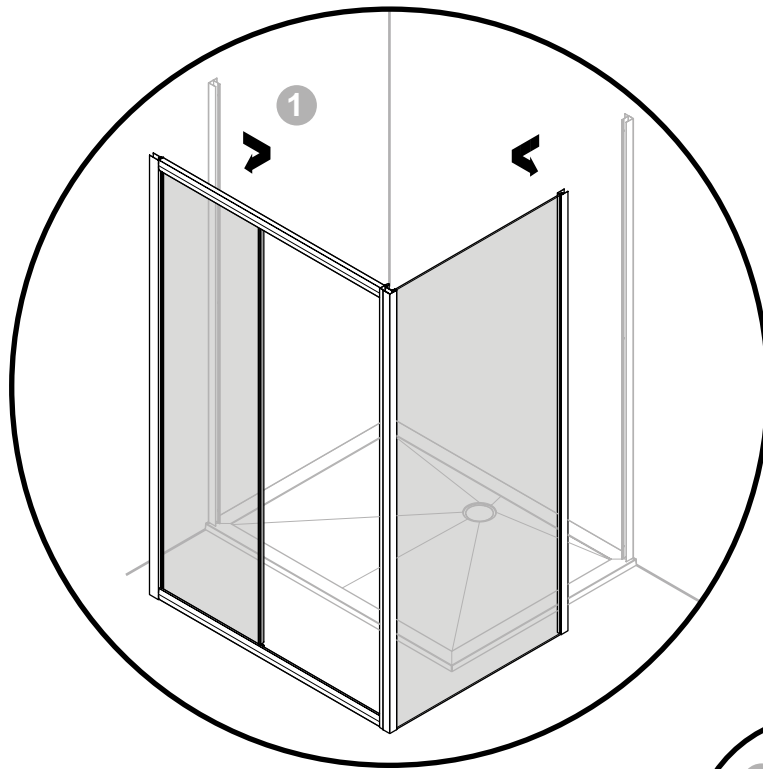
[01] x2

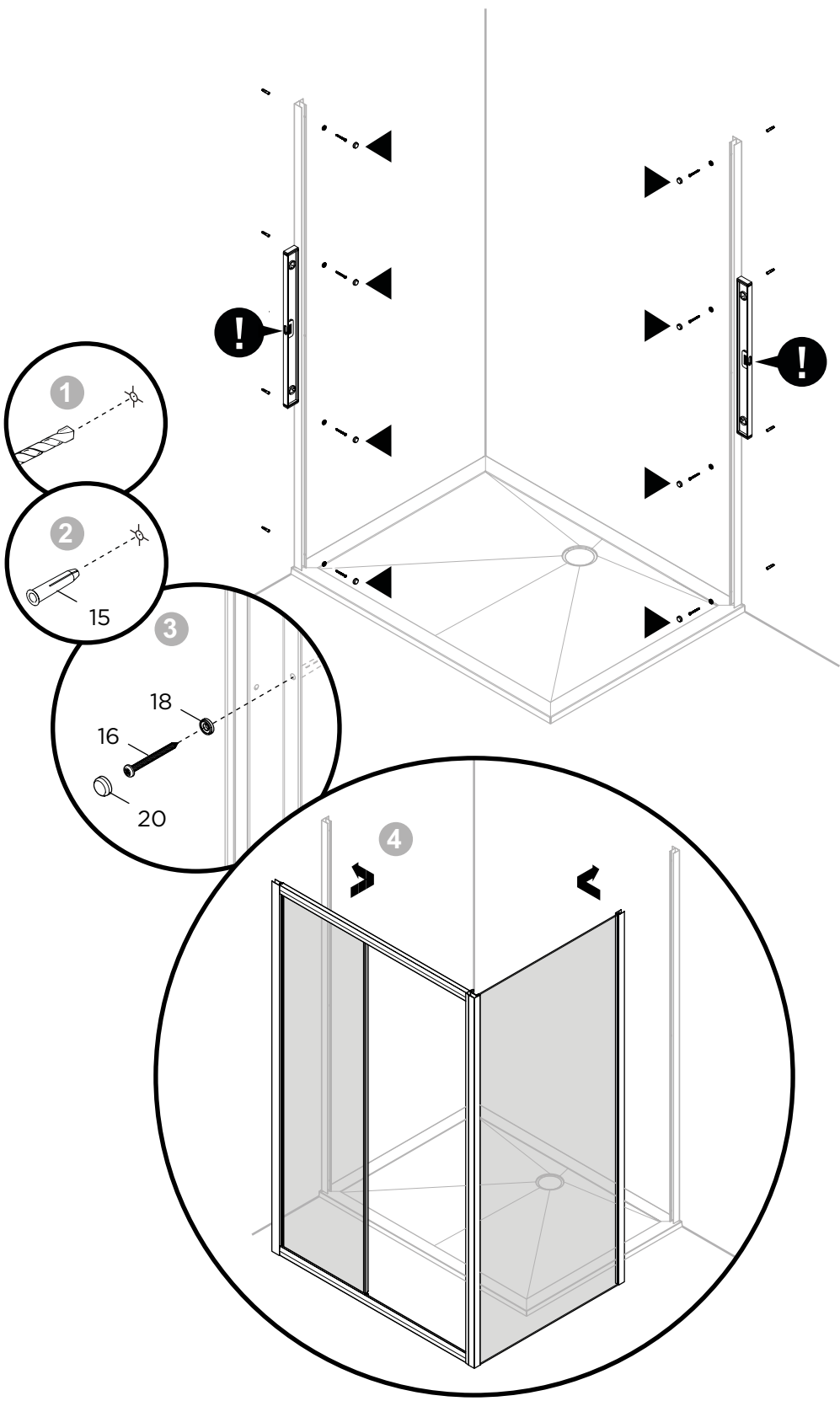


[09] x1









[15] x8



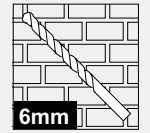
[16] x8



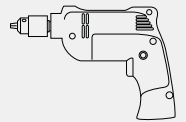
[18] x8



[20] x8



6mm

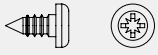


09

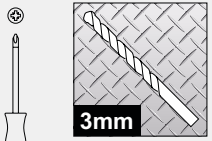
[18] x4



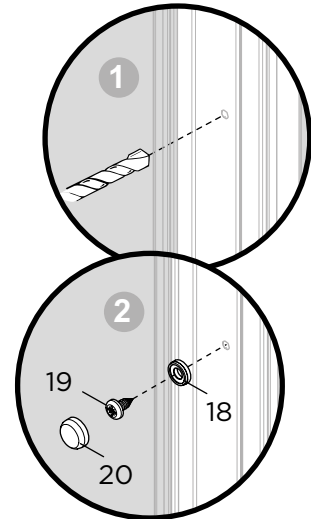
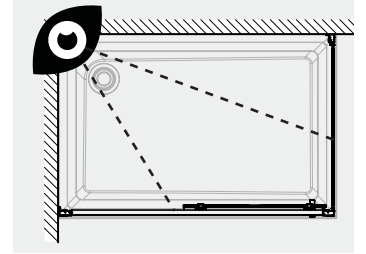
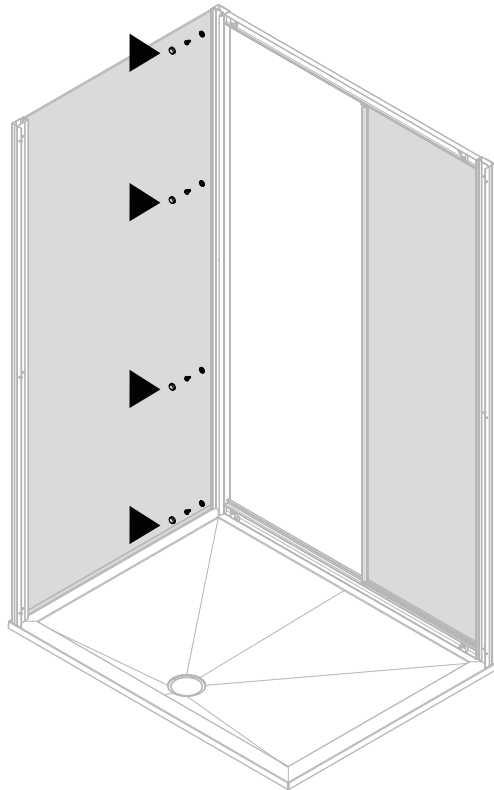
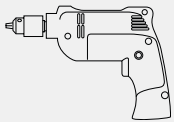
[19] x4



[20] x4



3mm



10

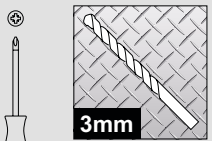
[18] x8



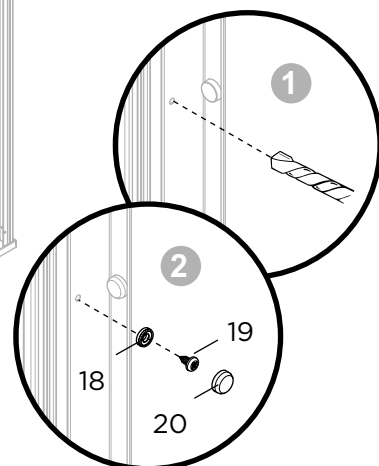
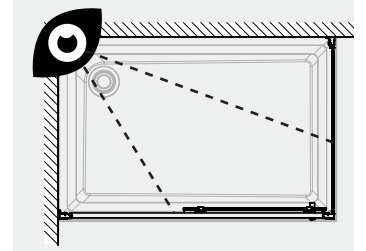
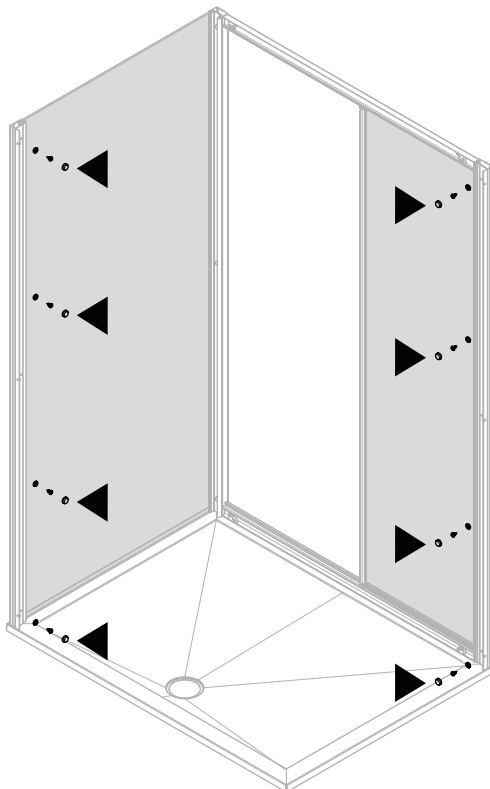
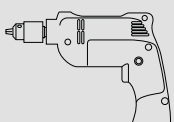
[19] x8

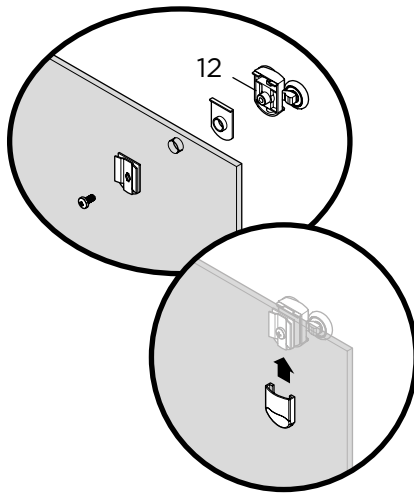
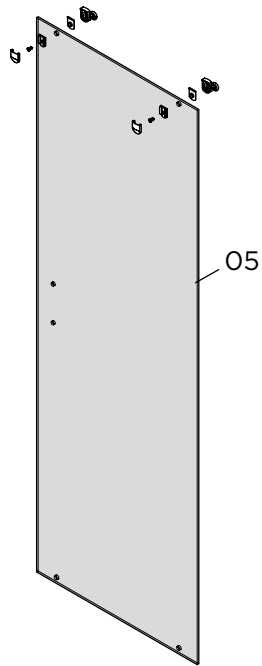
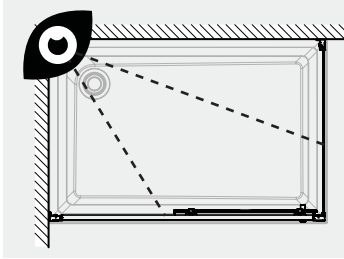


[20] x8



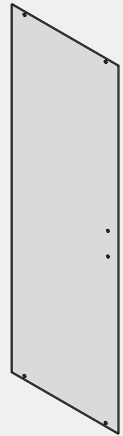
3mm



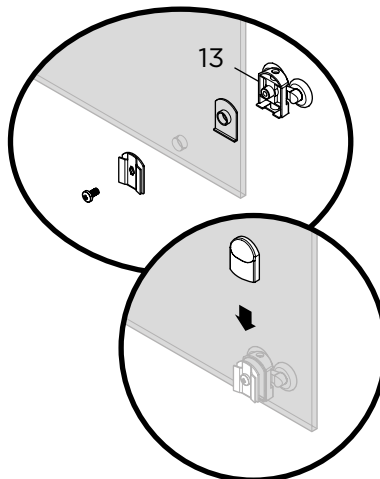
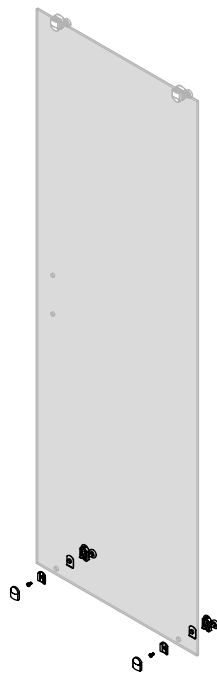
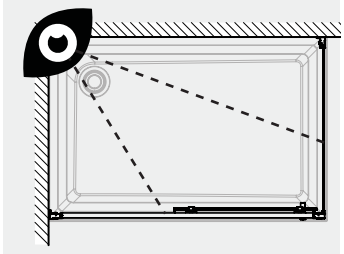
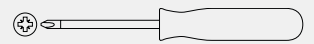
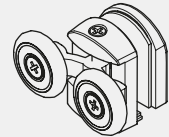


11

[05] x1

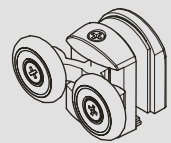


[12] x2



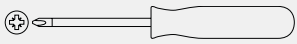
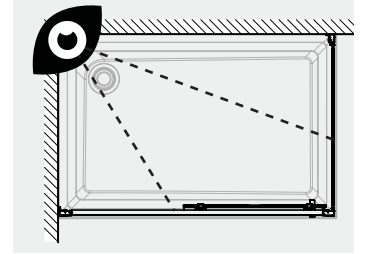
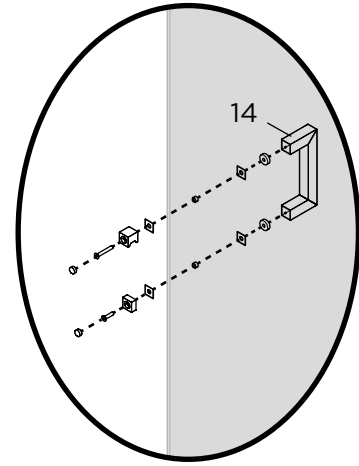
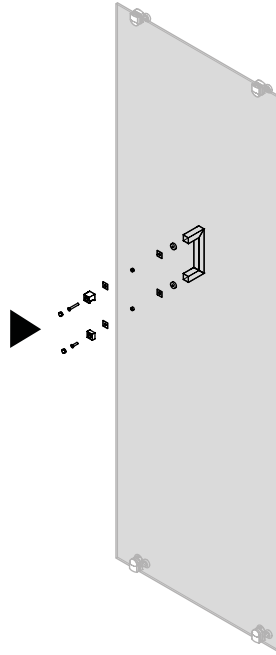
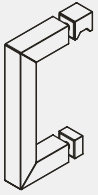
12

[13] x2



13

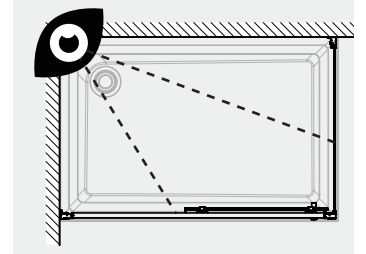
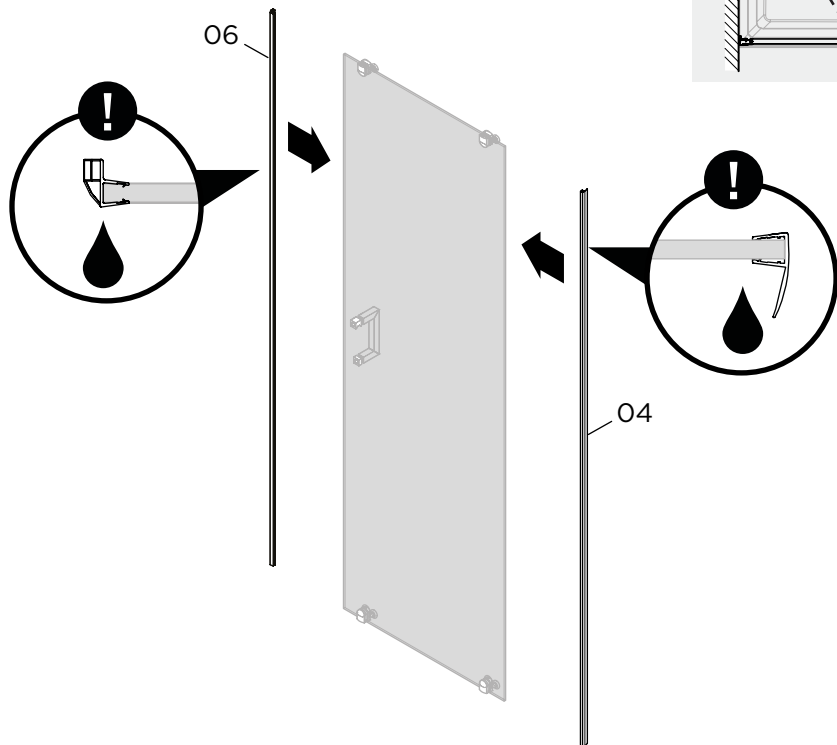
[14] x1

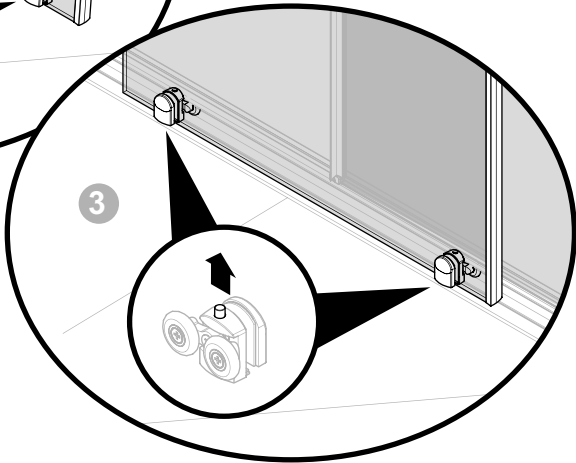
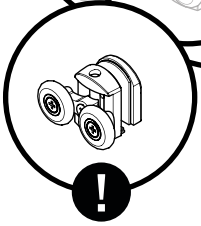
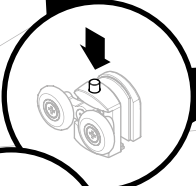
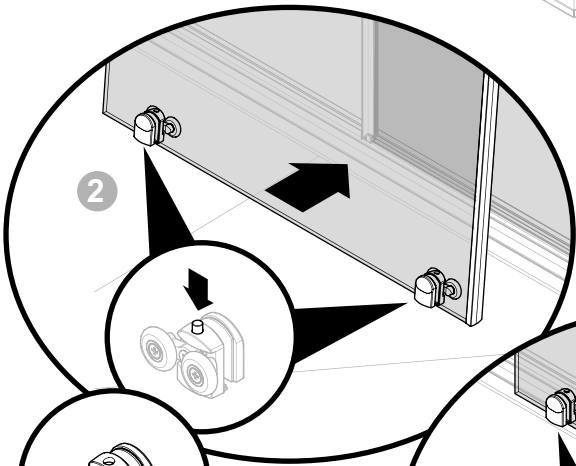
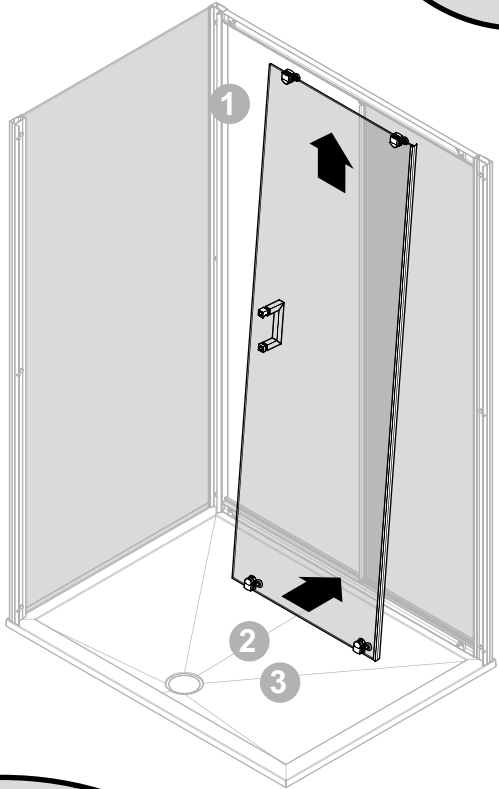
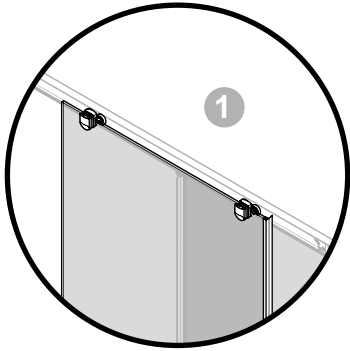
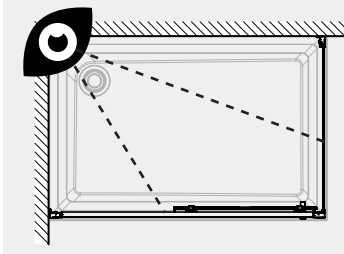
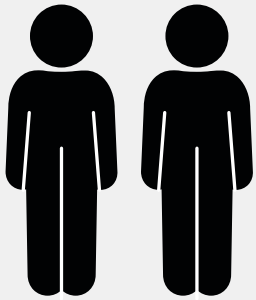


14

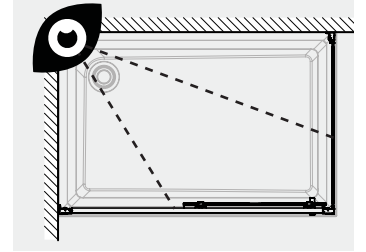
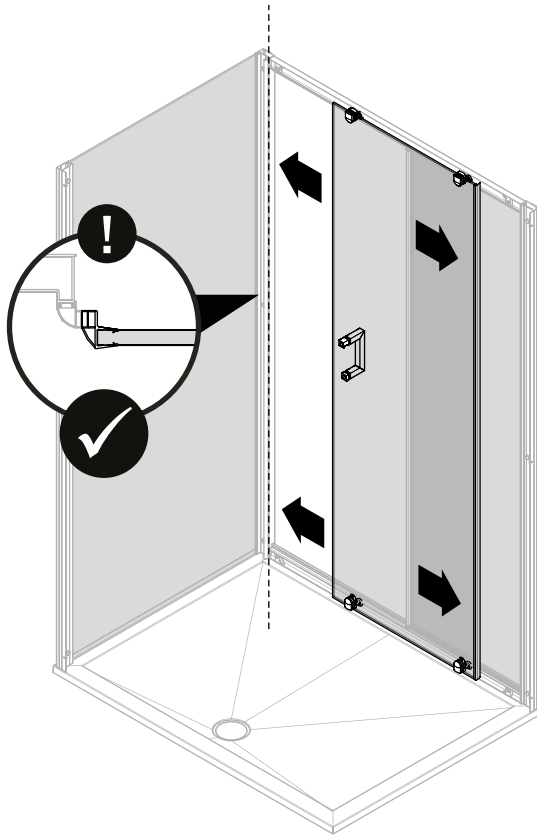
[04] x1

[06] x1

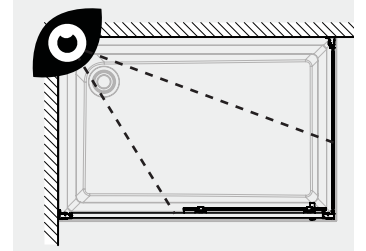
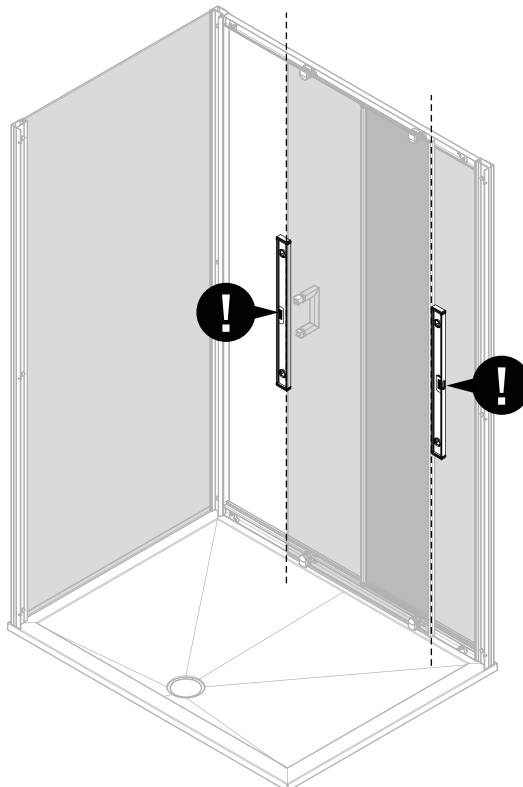






16

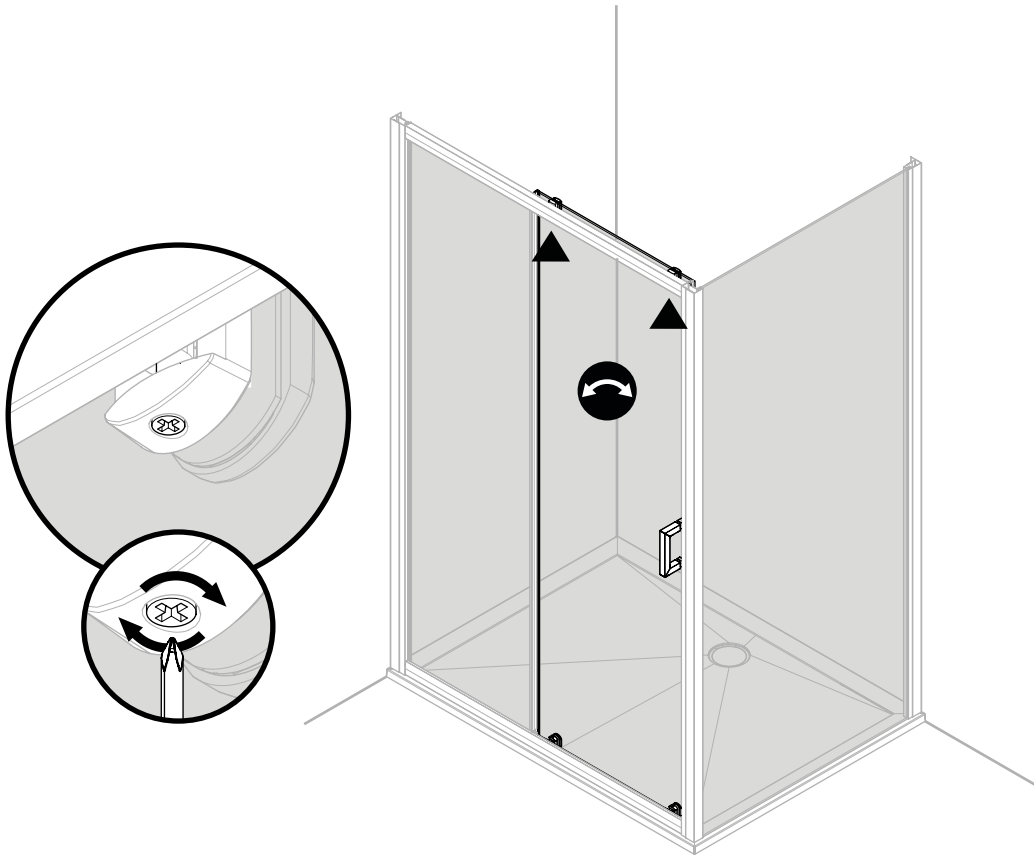


17

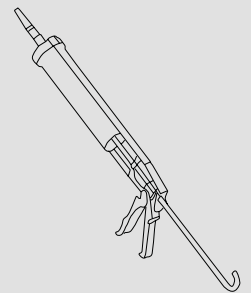
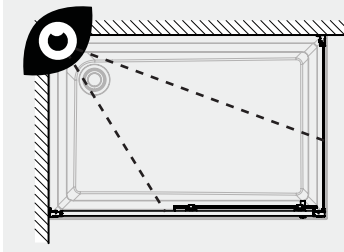


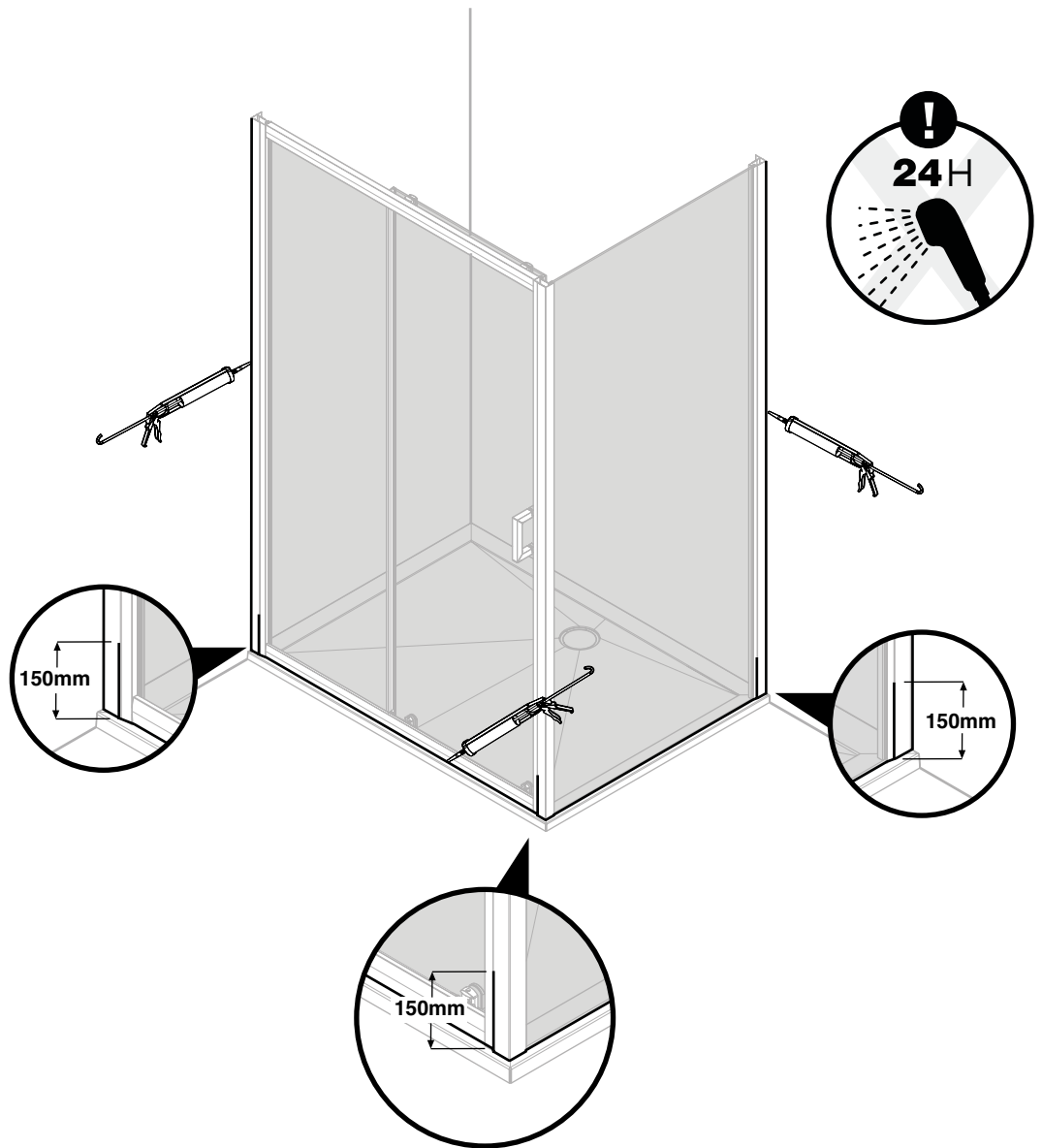
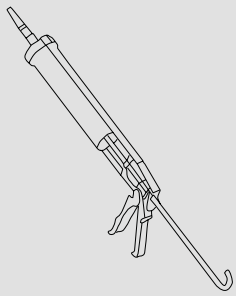
-  — 18
-  — 19

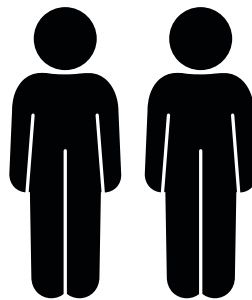
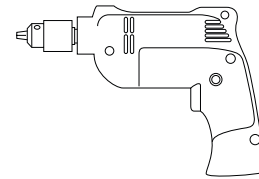
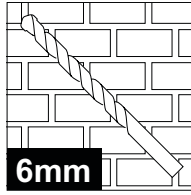
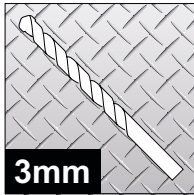
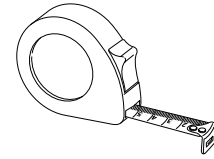
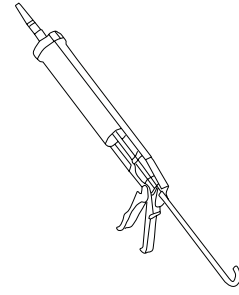
18



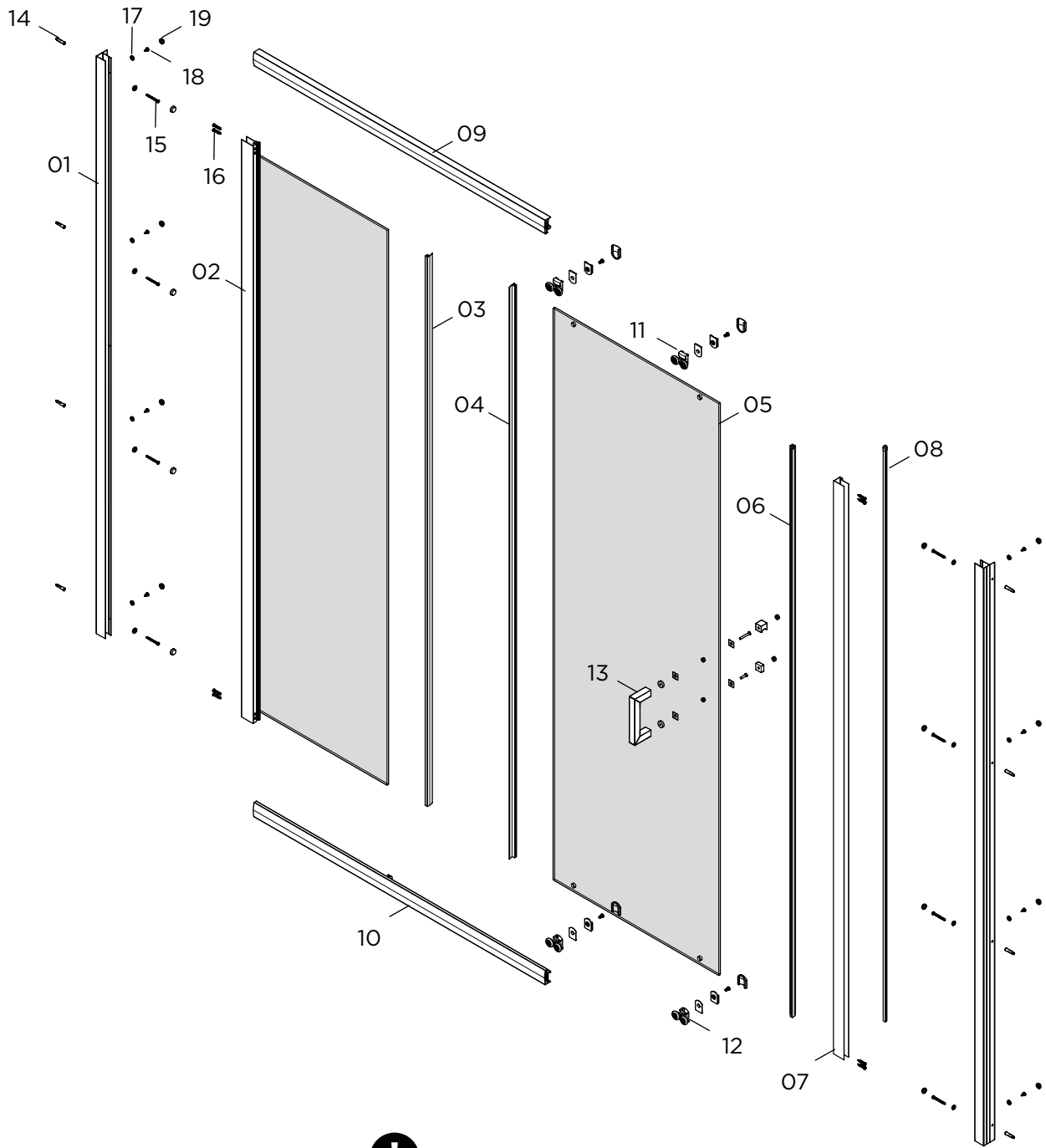
19







! EN 14428:2015

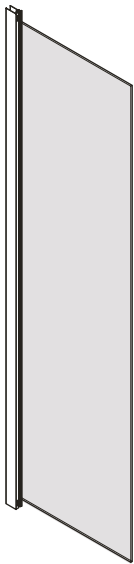


! EN 14428:2015

[01] x2



[02] x1



[03] x1



[04] x1



[05] x1



[06] x1



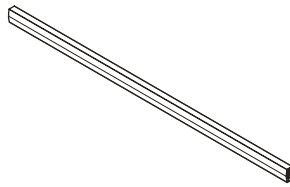
[07] x1



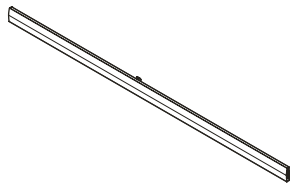
[08] x1



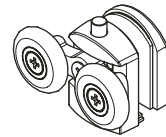
[09] x1



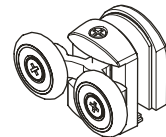
[10] x1



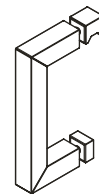
[11] x2



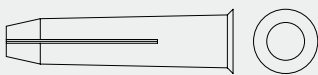
[12] x2



[13] x1



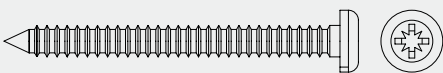
[14] x8



[17] x16



[15] x8



[18] x8



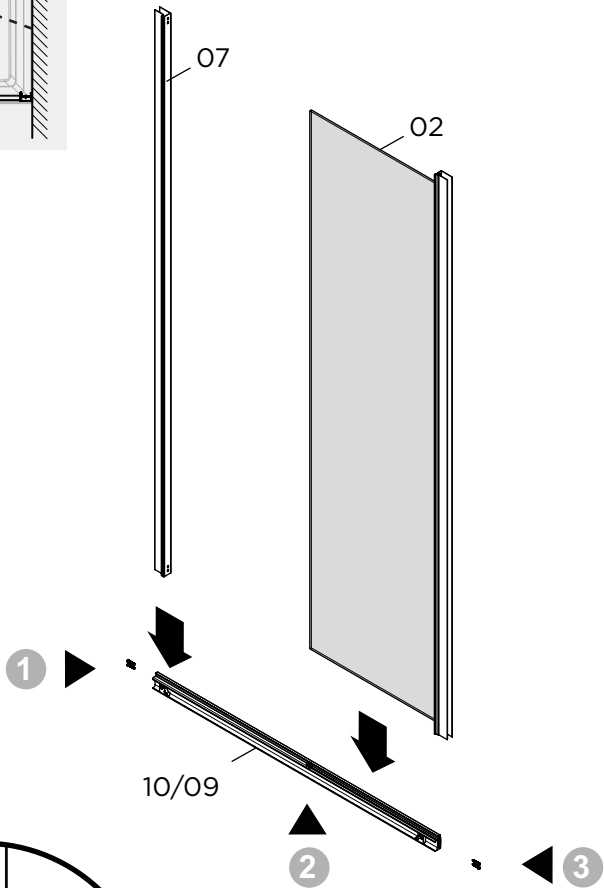
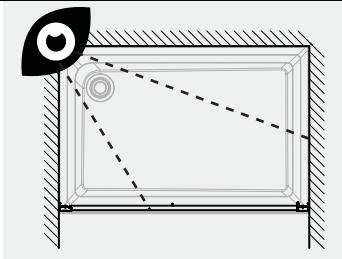
[16] x8



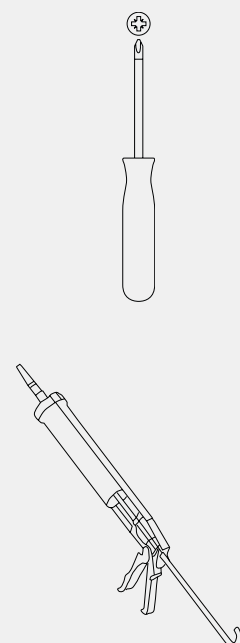
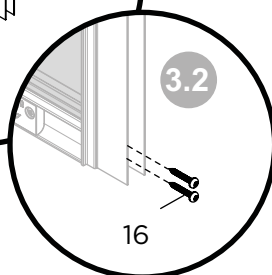
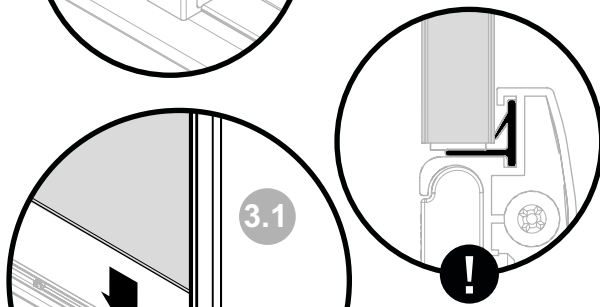
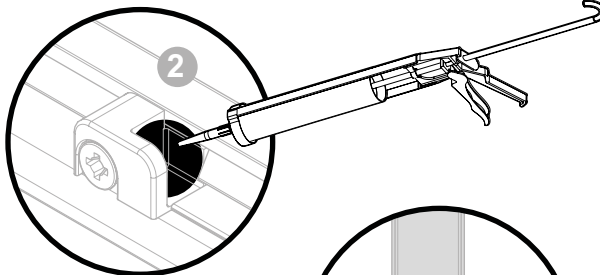
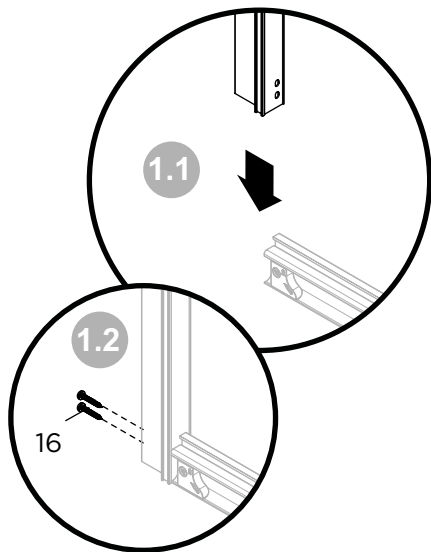
[19] x16



1:1

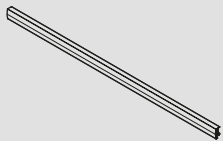


- [02] x1
- [07] x1
- [10/09] x1
- [16] x4
- [Screw]
- [Washer]

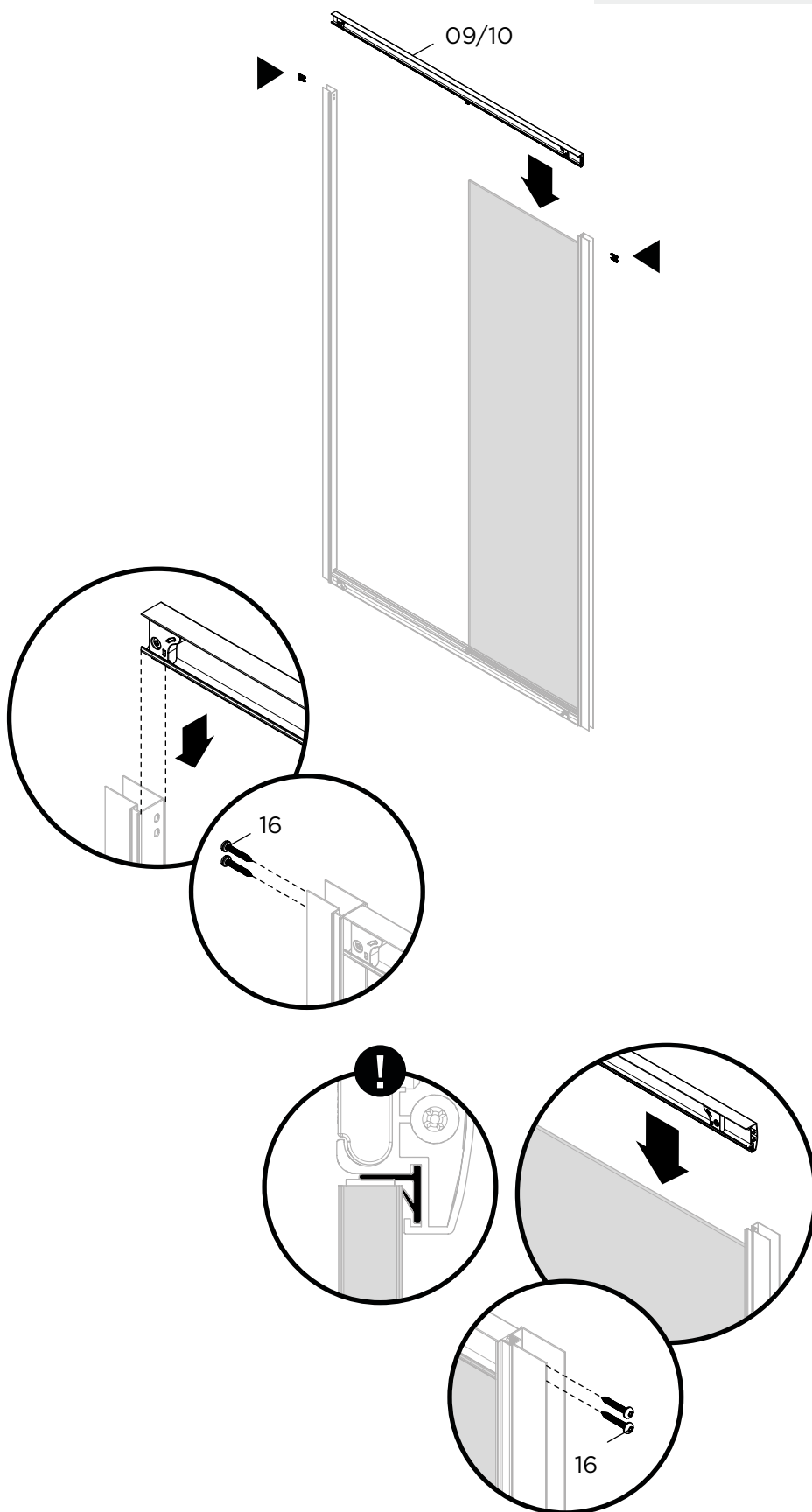
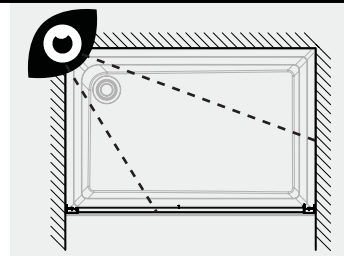


02

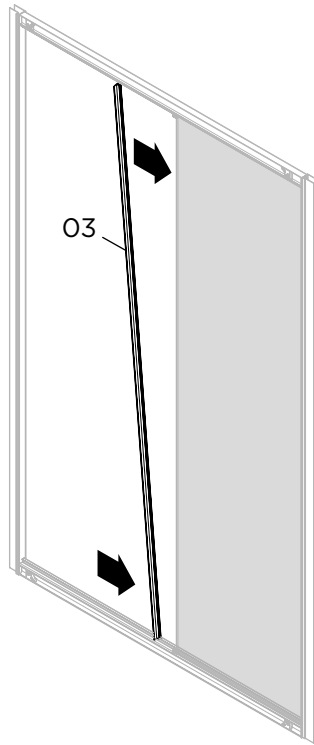
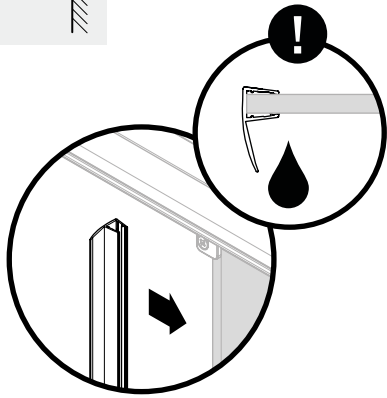
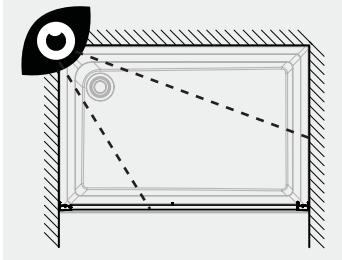
[09/10] x1



[16] x4



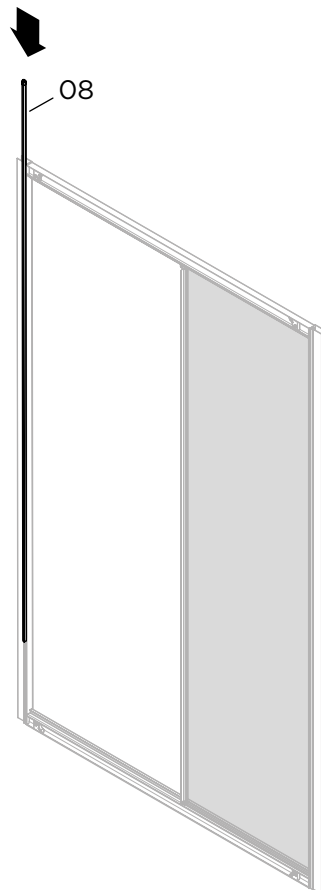
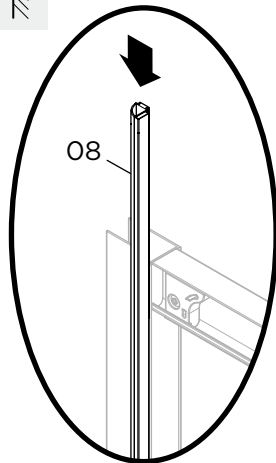
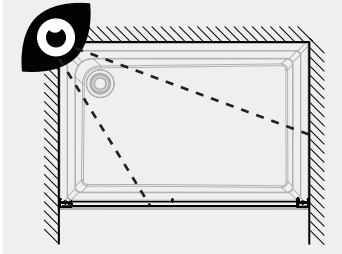
03



[03] x1



04

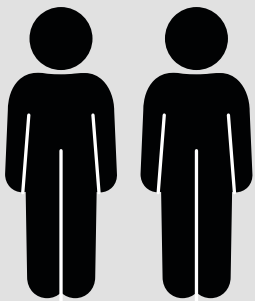
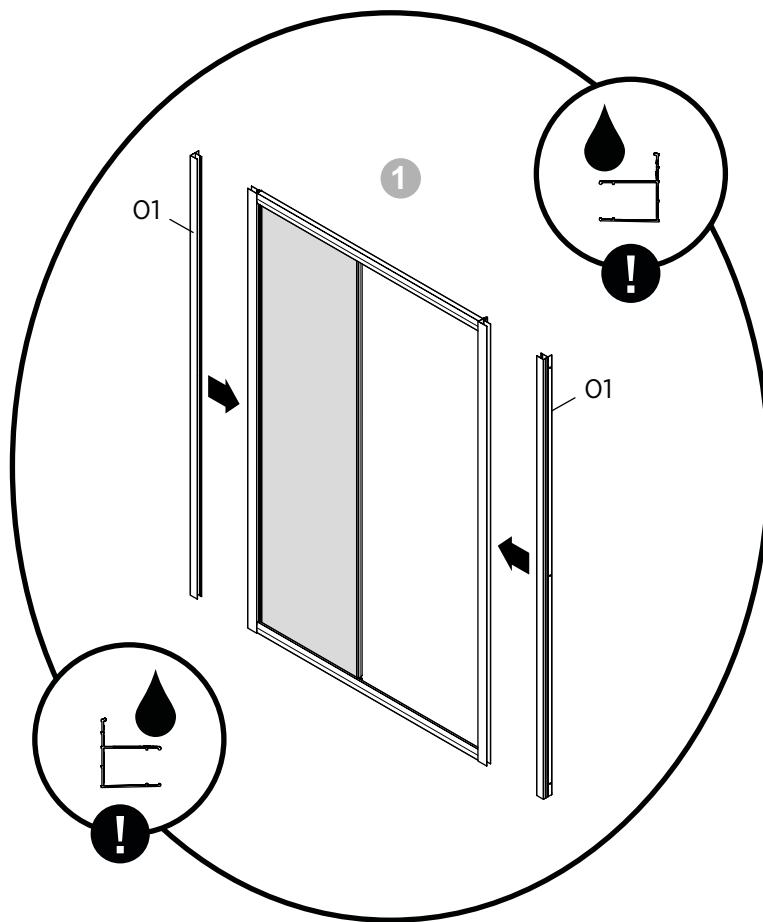


[08] x1

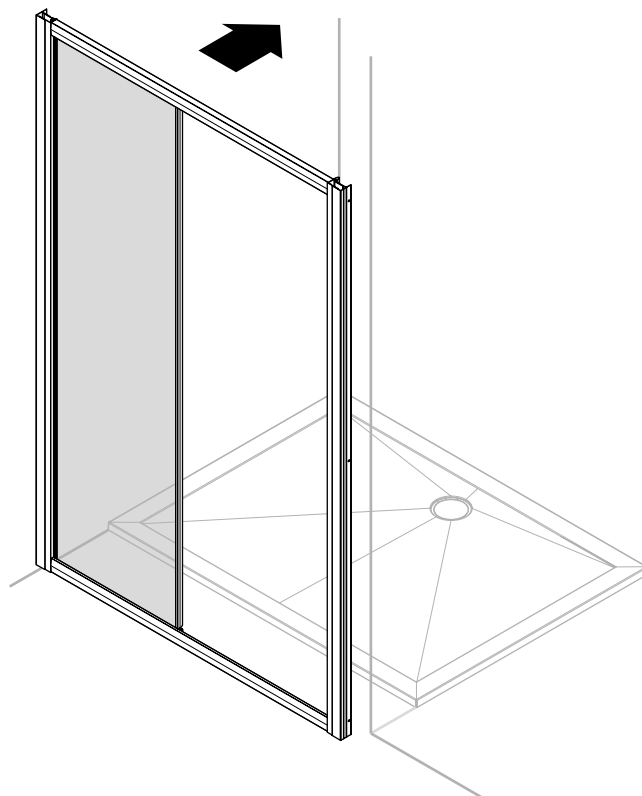


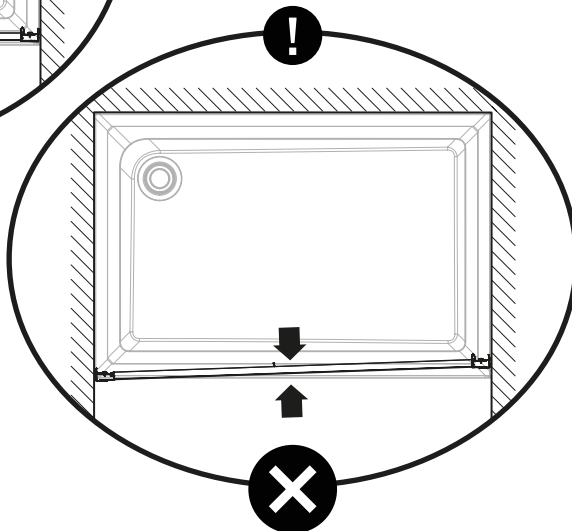
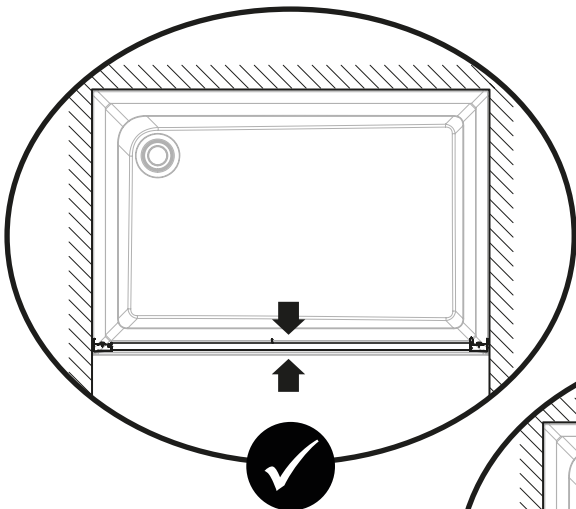
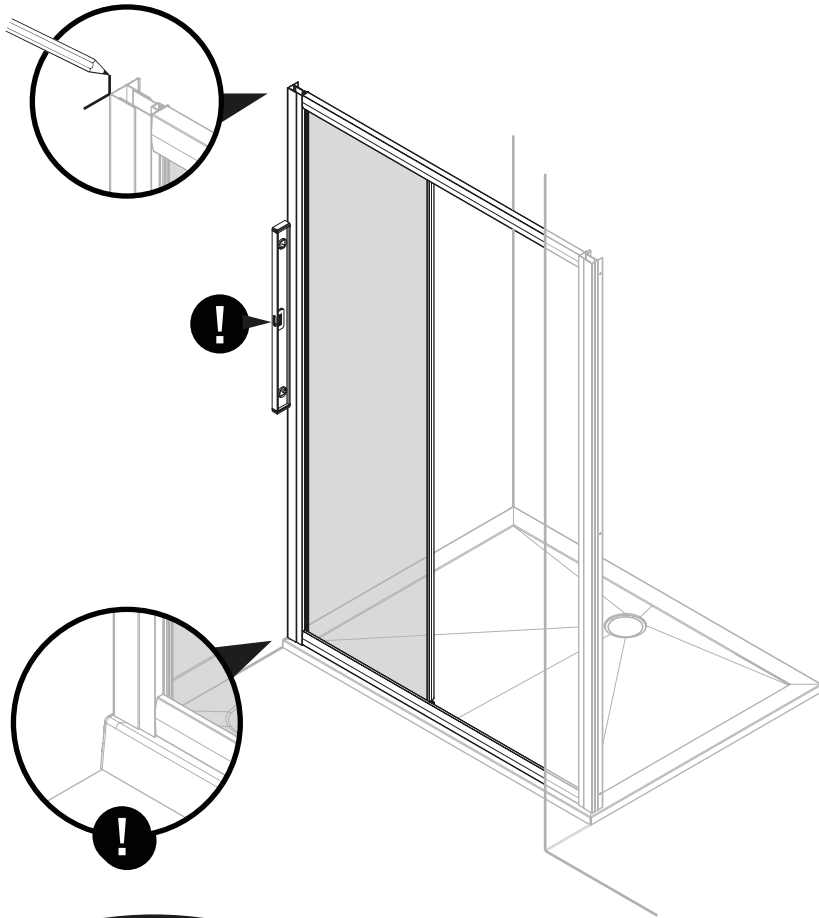
05

[01] x2

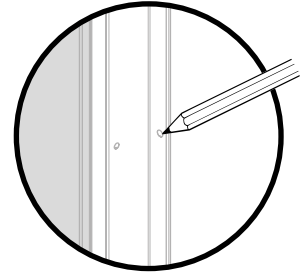
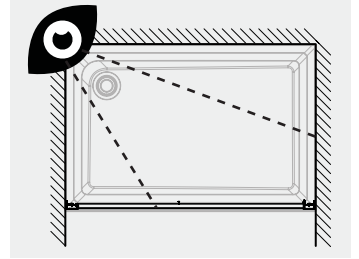
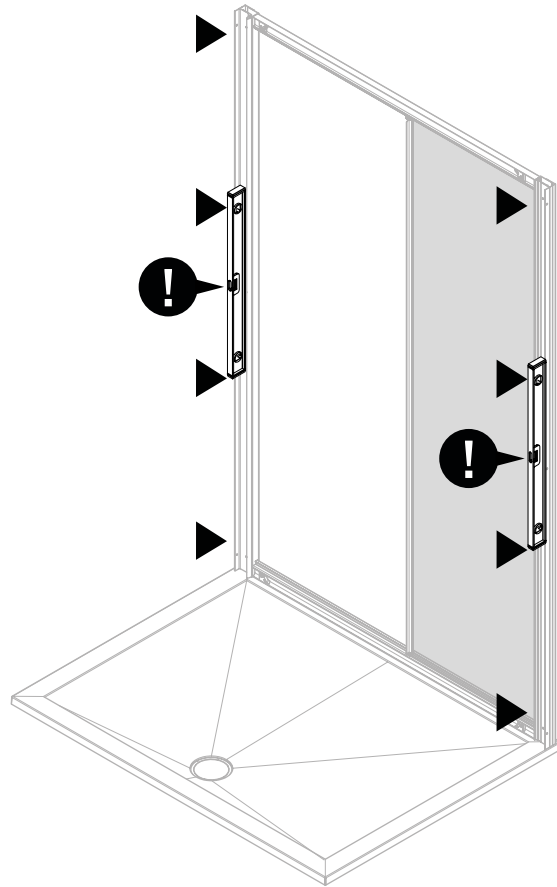


2



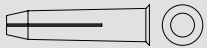


07



08

[14] x6



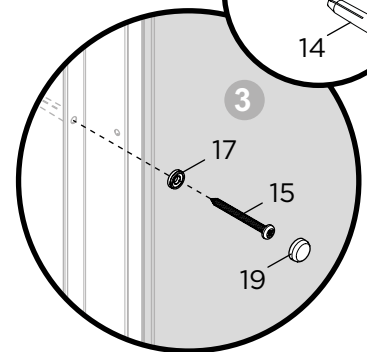
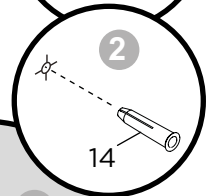
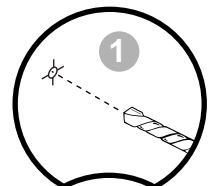
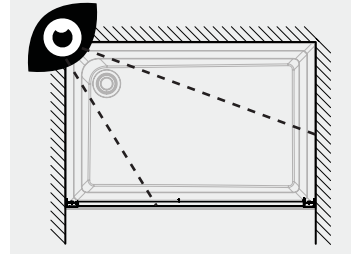
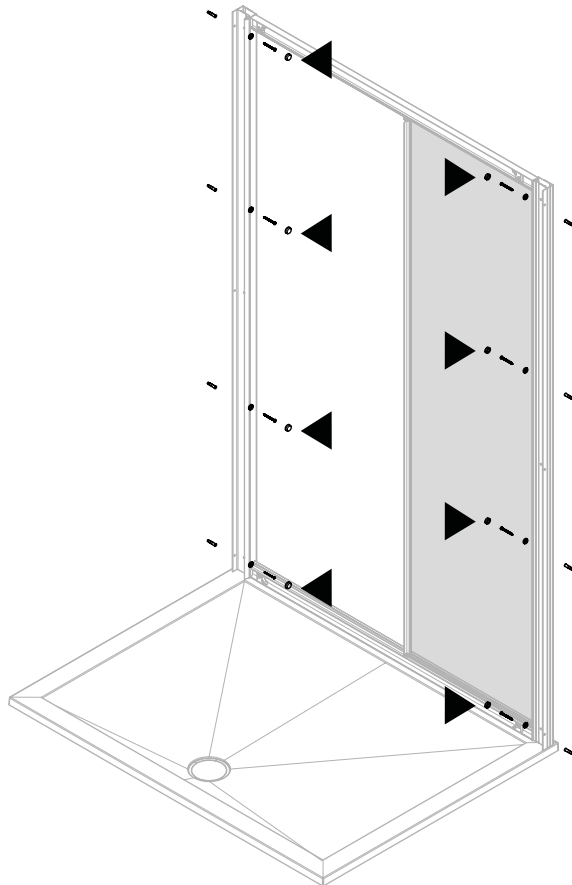
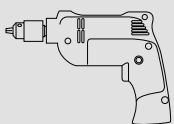
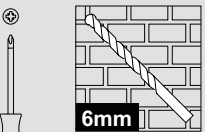
[15] x6

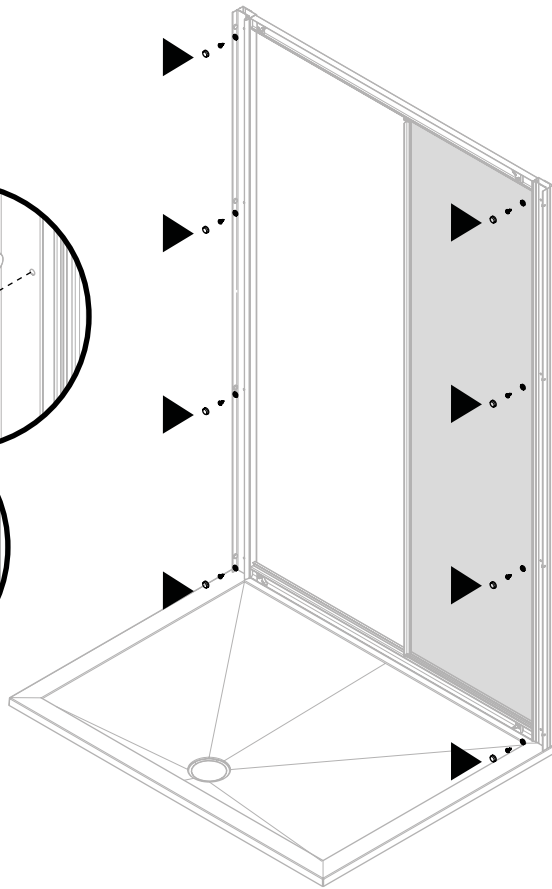
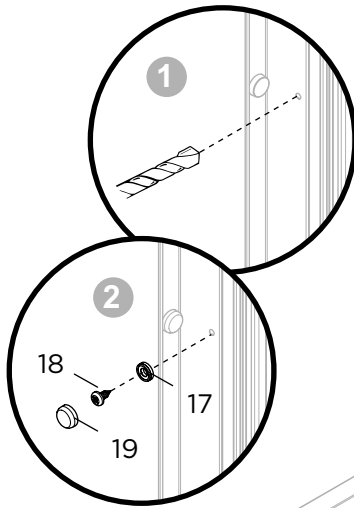
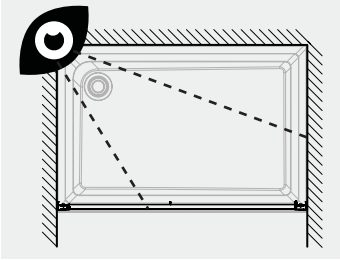


[17] x6



[19] x6

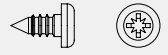




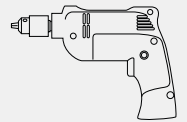
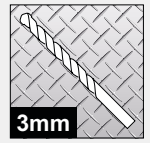
[17] x6



[18] x6



[19] x6

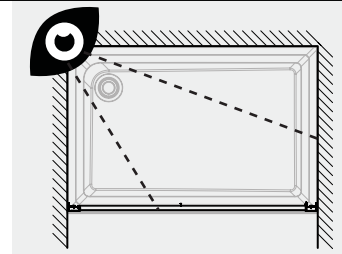
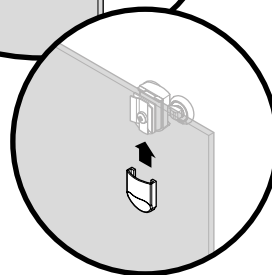
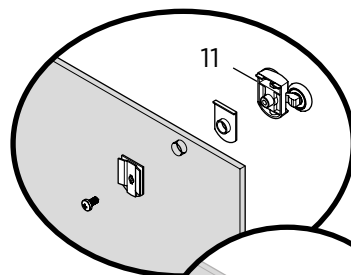
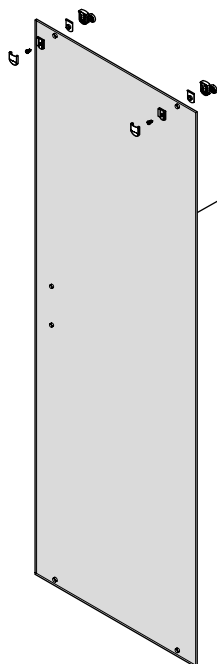
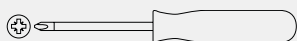
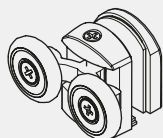


10

[05] x1

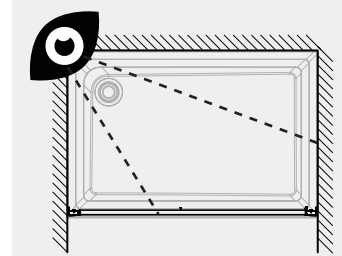
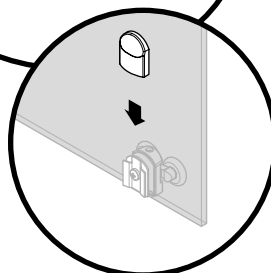
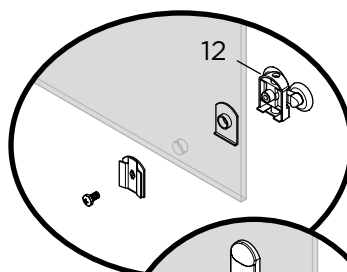
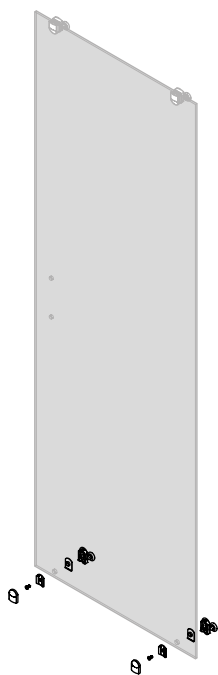
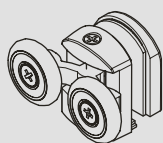


[11] x2



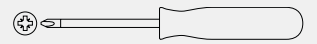
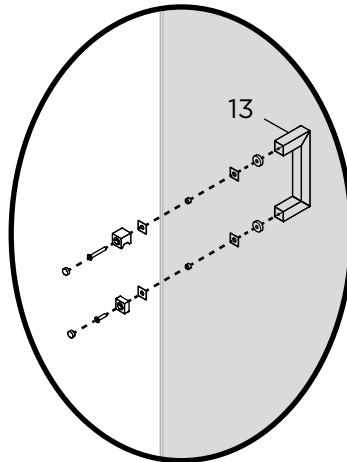
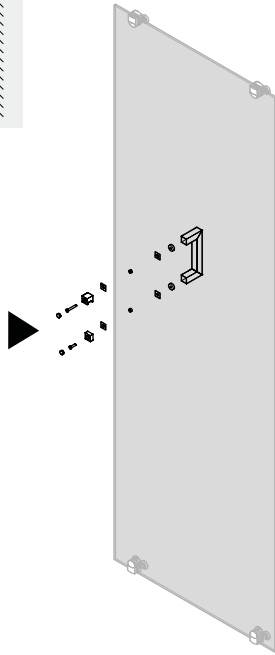
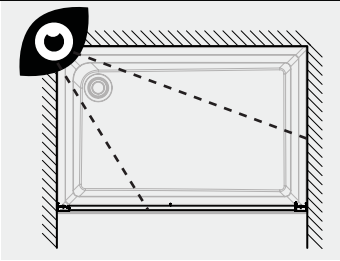
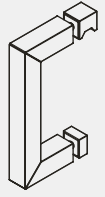
11

[12] x2



12

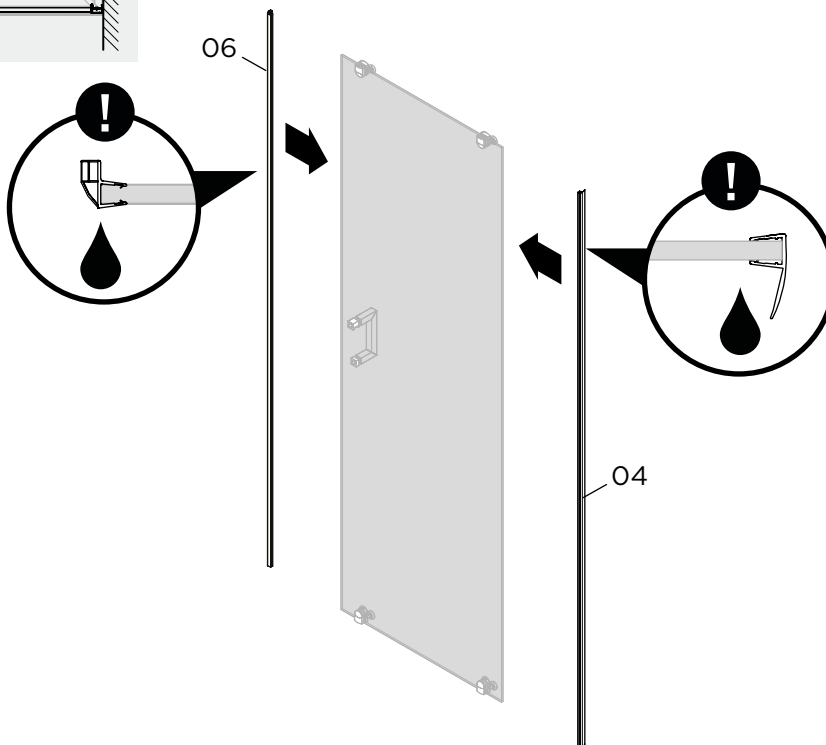
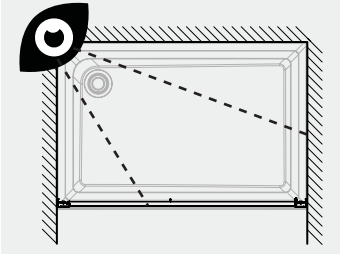
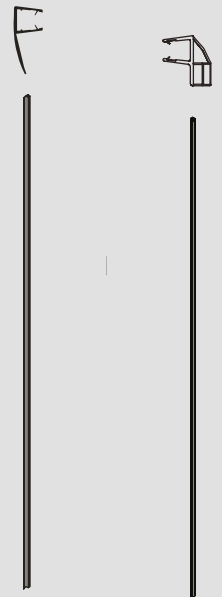
[13] x2



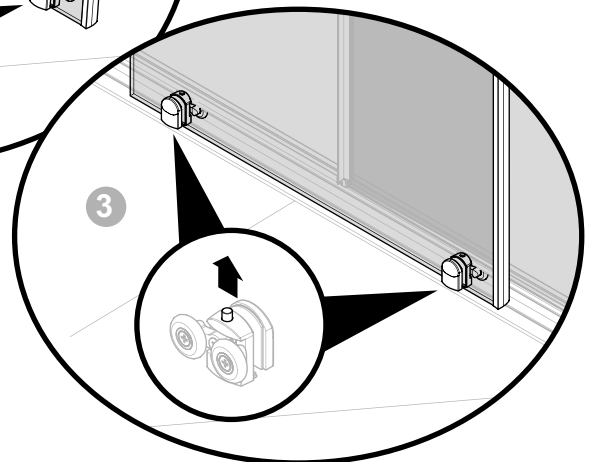
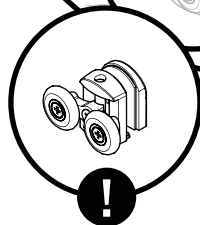
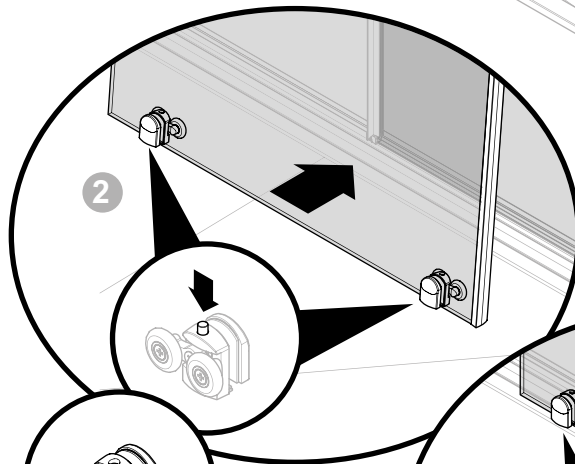
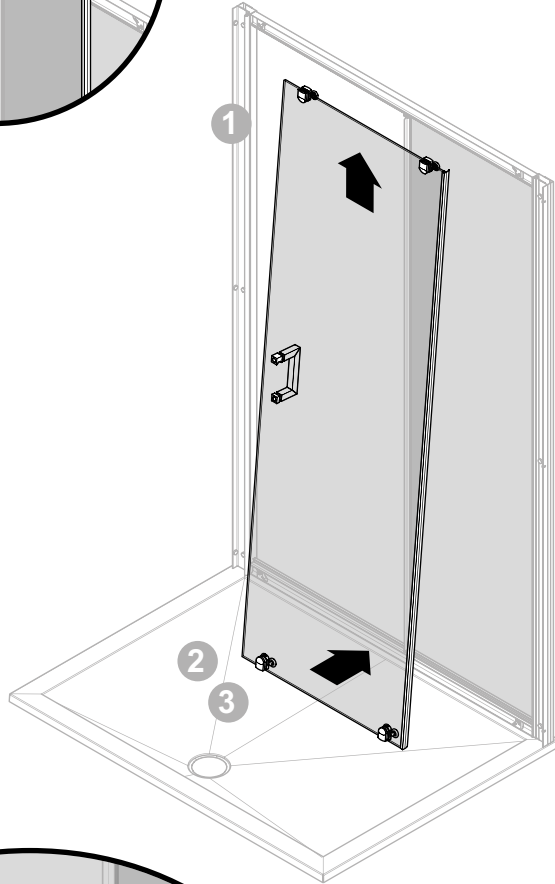
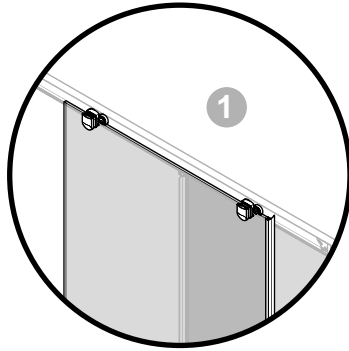
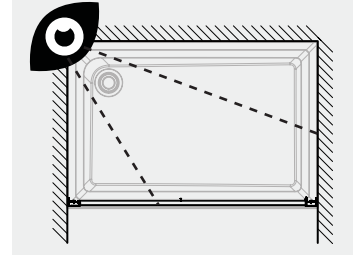
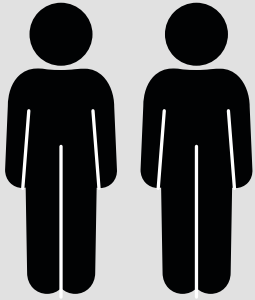
13

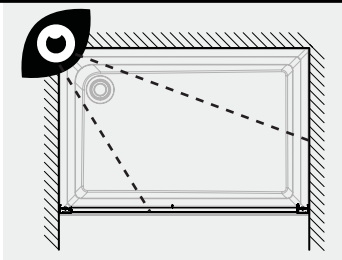
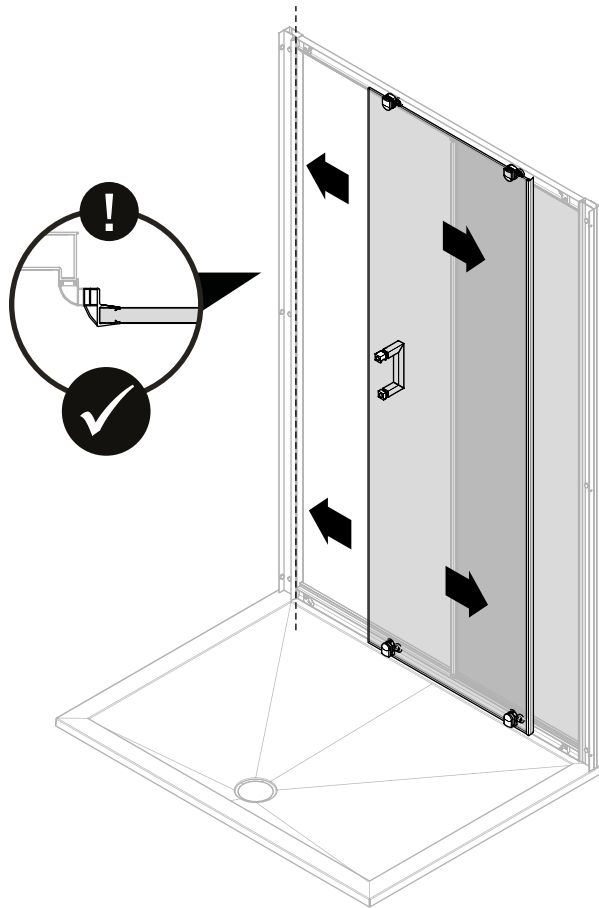
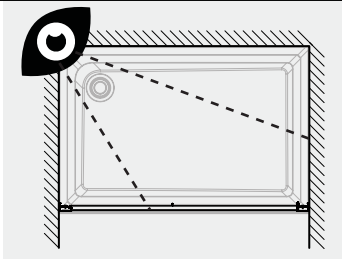
[04] x1



[06] x1

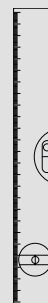
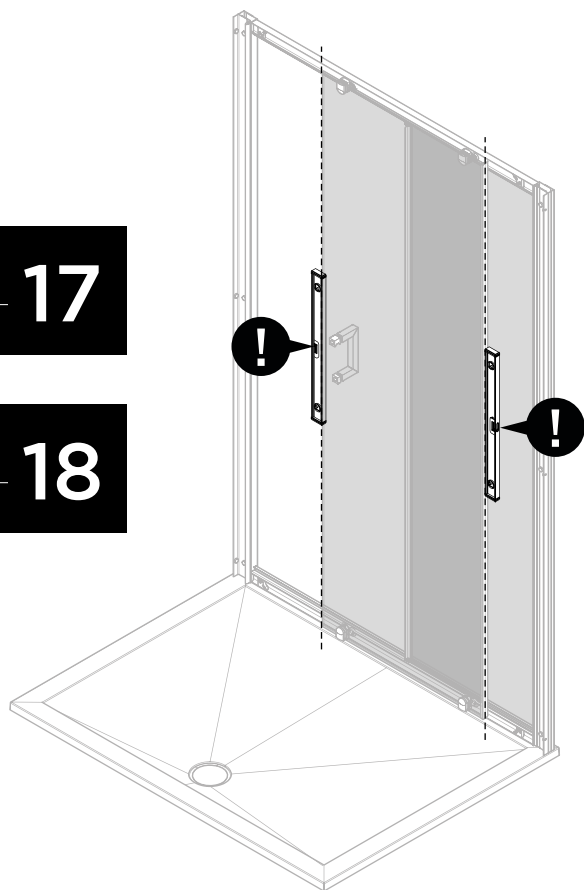


14

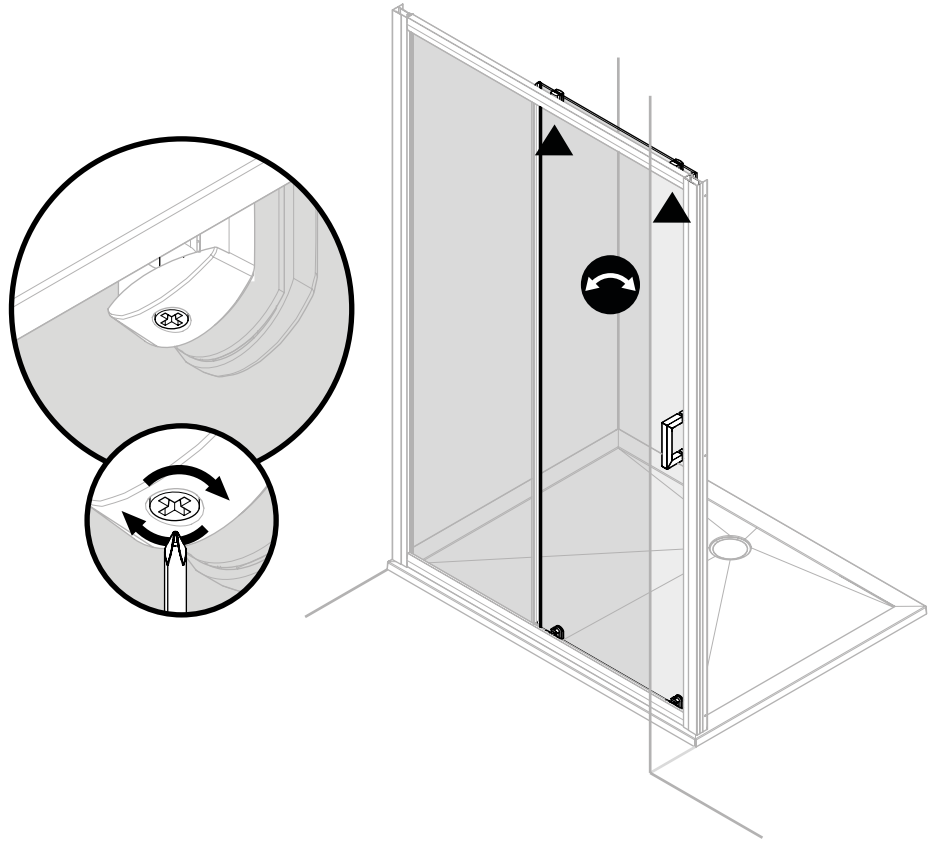




-  --- **17**
-  --- **18**



17



18

